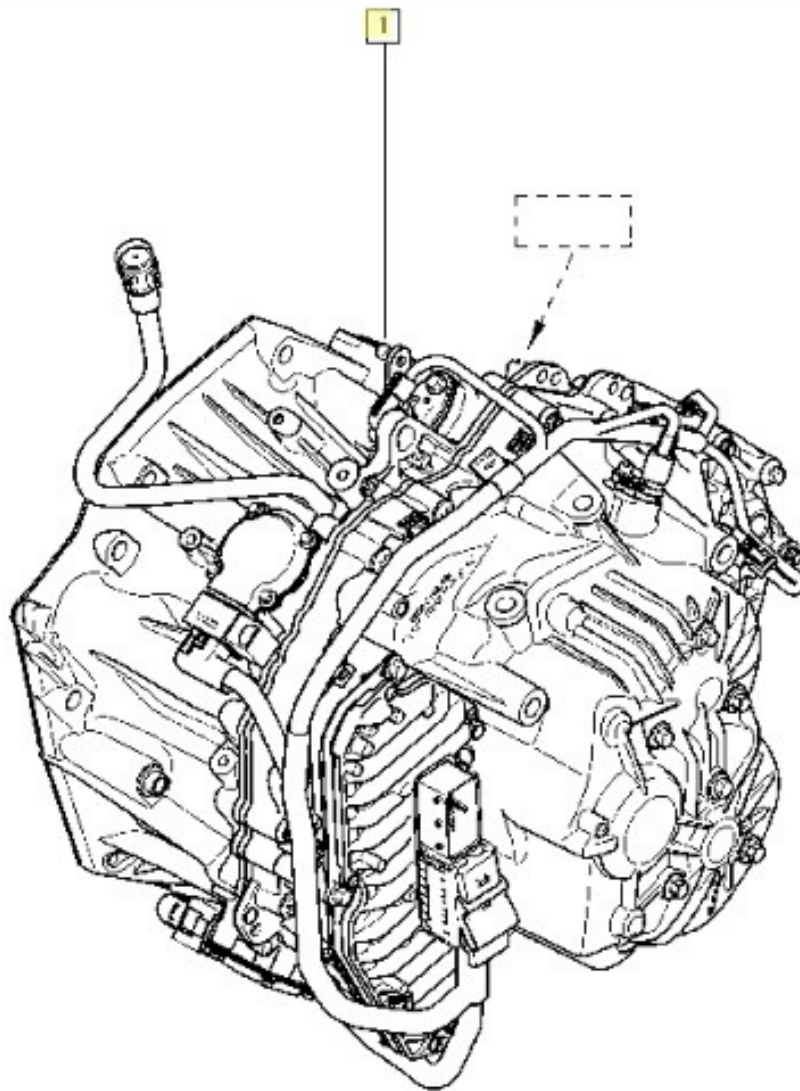




RAROPEM

BACK ON TRACK

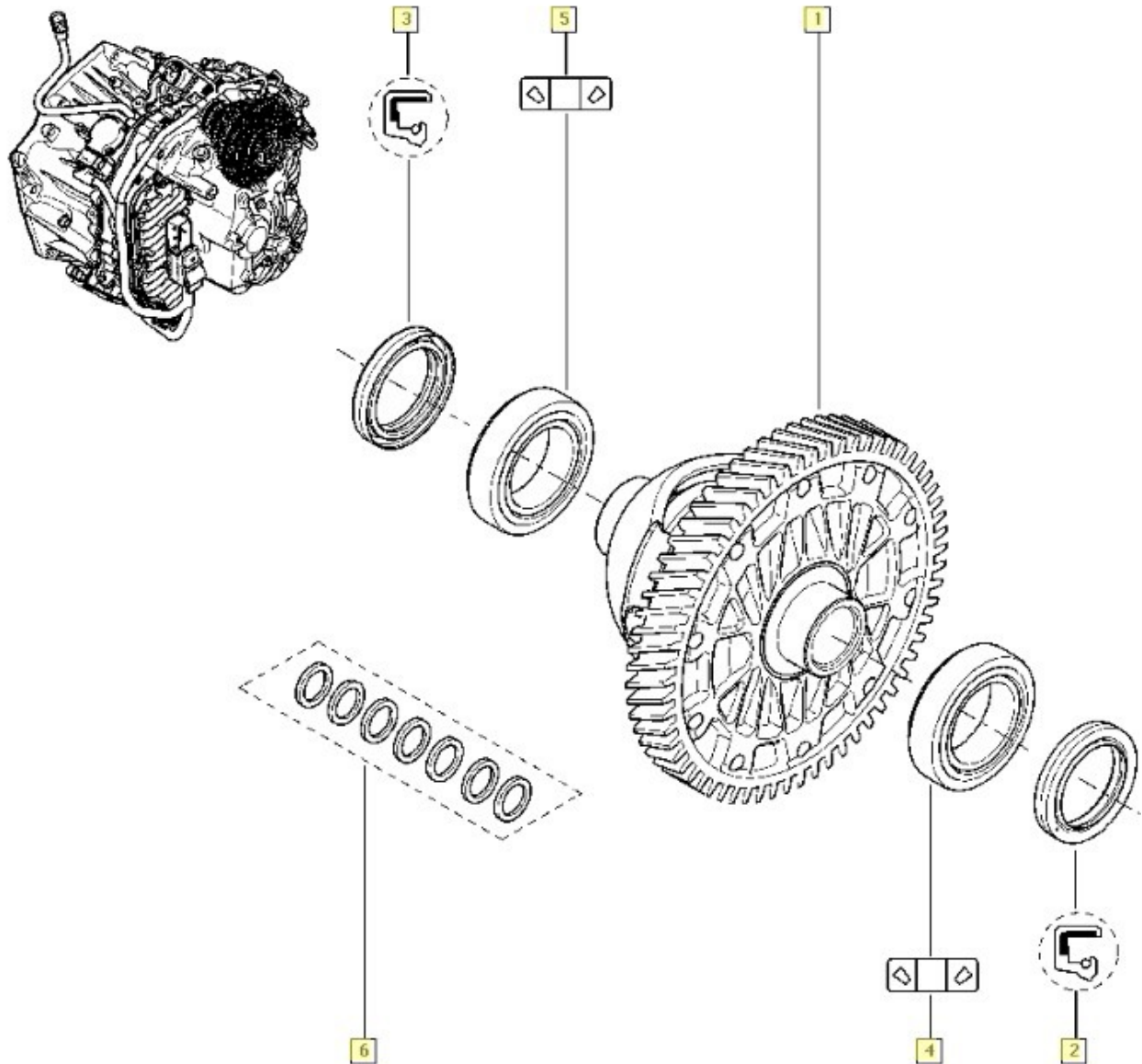


Desen tehnic cutie de viteza Getrag DCT250/DPS6/DC4



RAROPEM

BACK ON TRACK

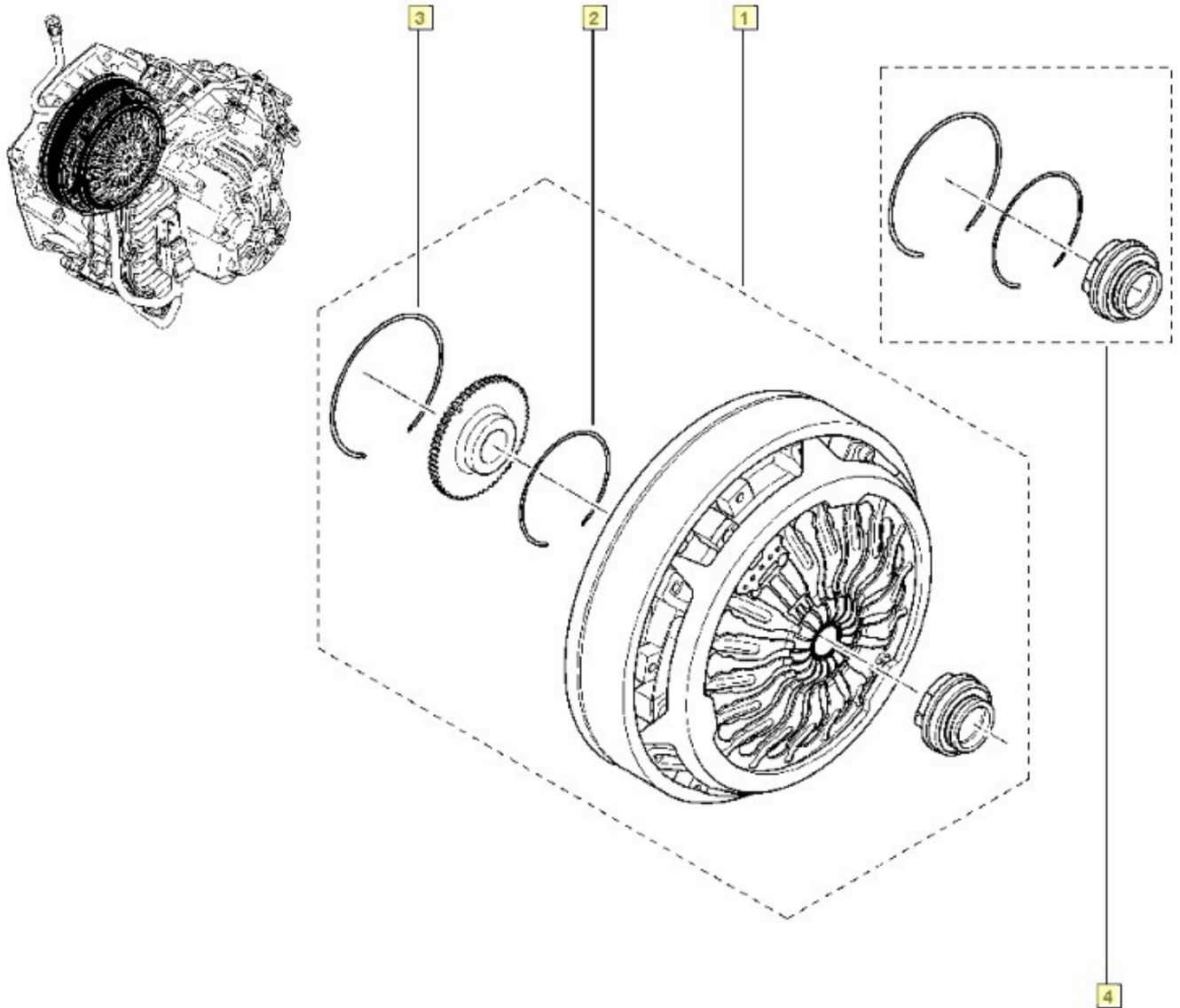


Desen tehnic cutie de viteza Getrag DCT250/DPS6/DC4



RAROPEM

BACK ON TRACK

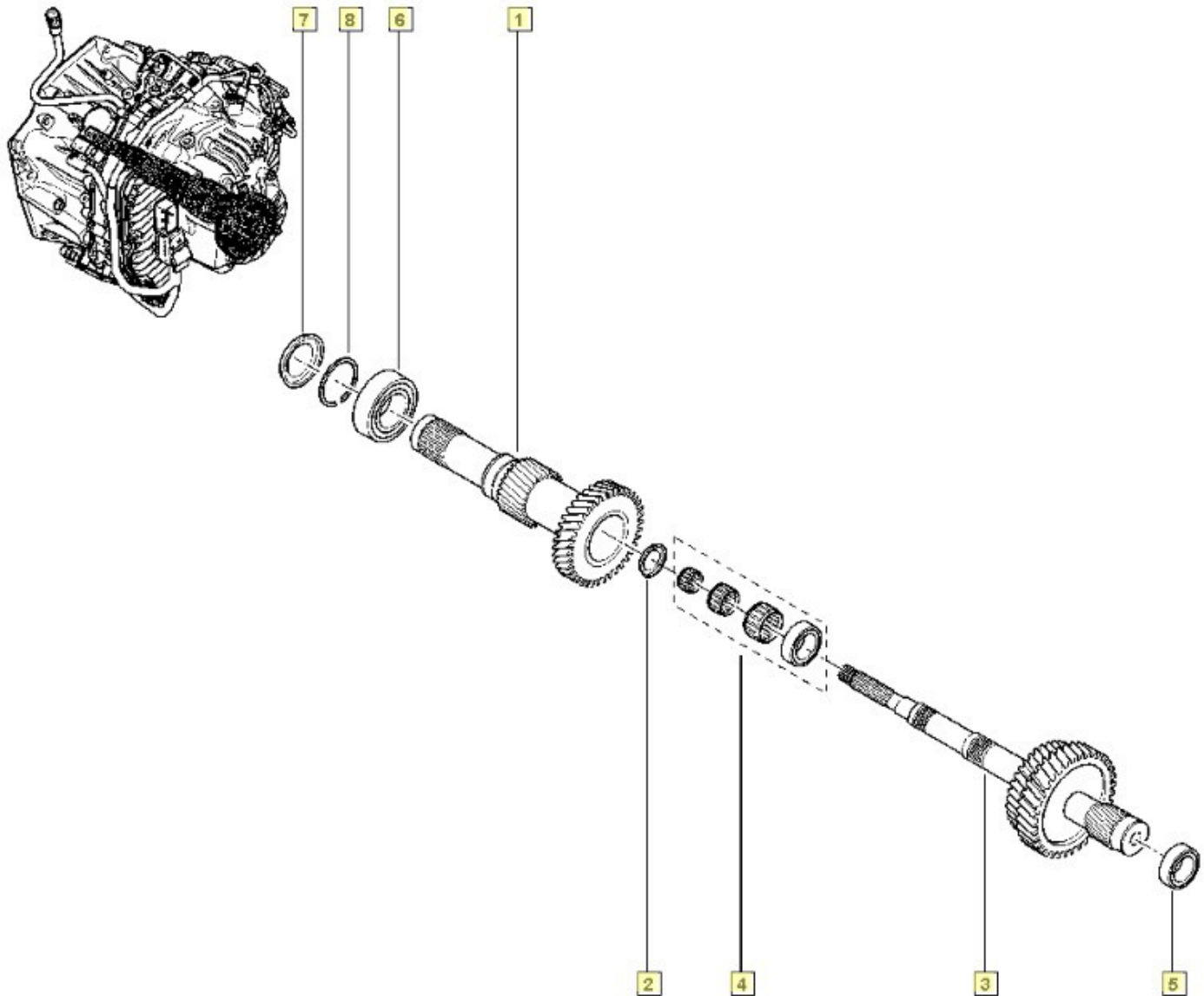


Desen tehnic cutie de viteza Getrag DCT250/DPS6/DC4



RAROPEM

BACK ON TRACK

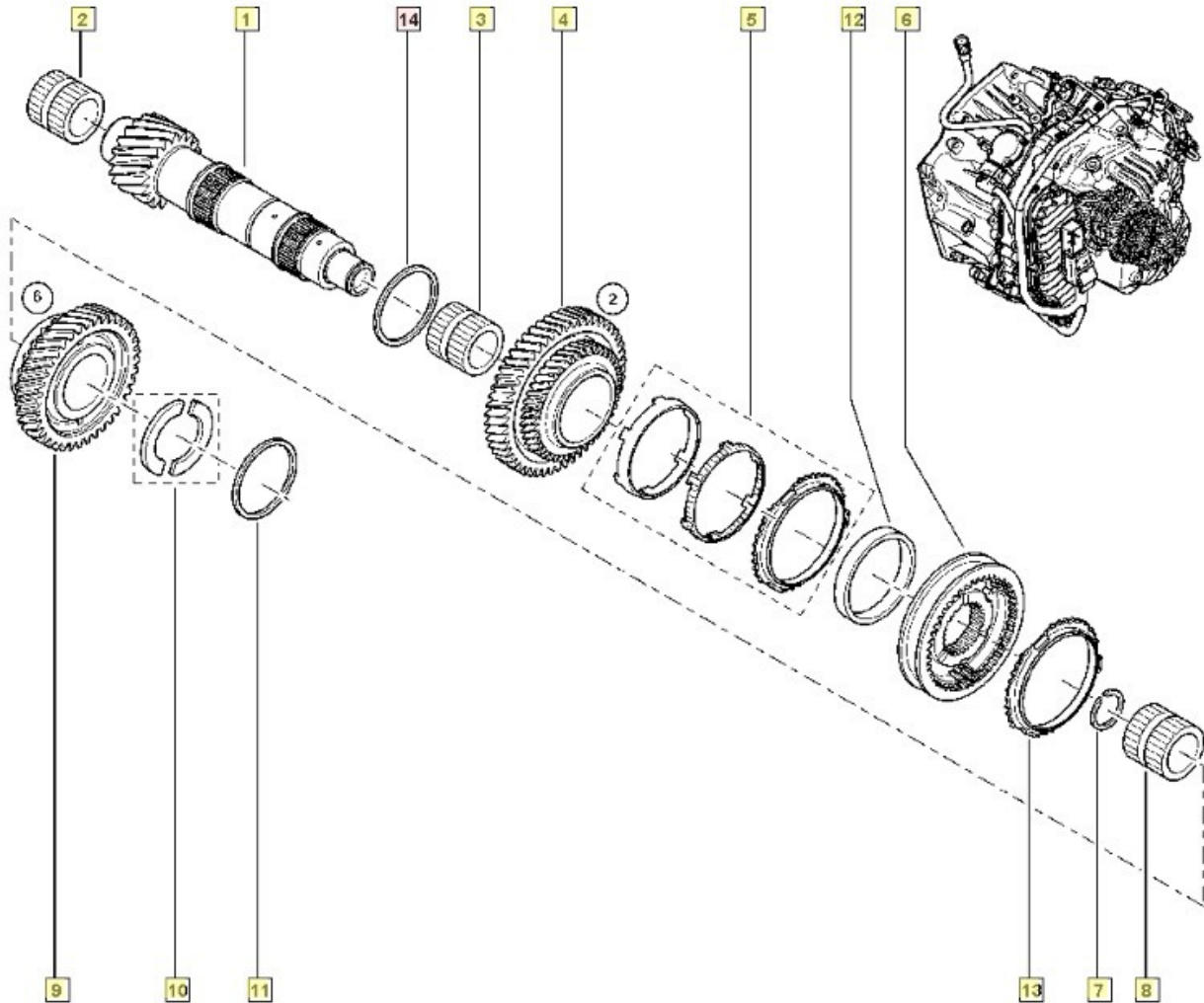


Desen tehnic cutie de viteza Getrag DCT250/DPS6/DC4



RAROPEM

BACK ON TRACK

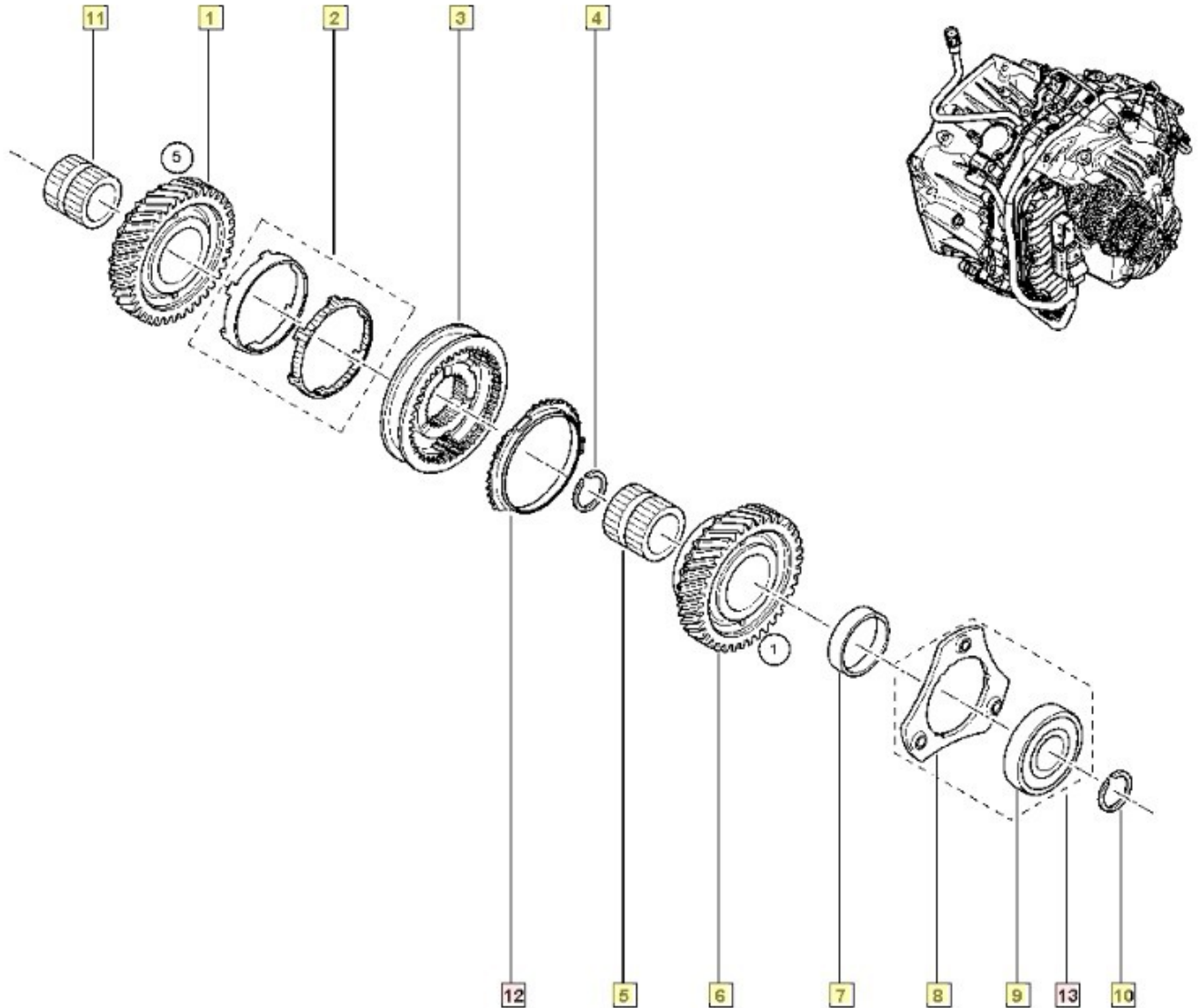


Desen tehnic cutie de viteza Getrag DCT250/DPS6/DC4



RAROPEM

BACK ON TRACK

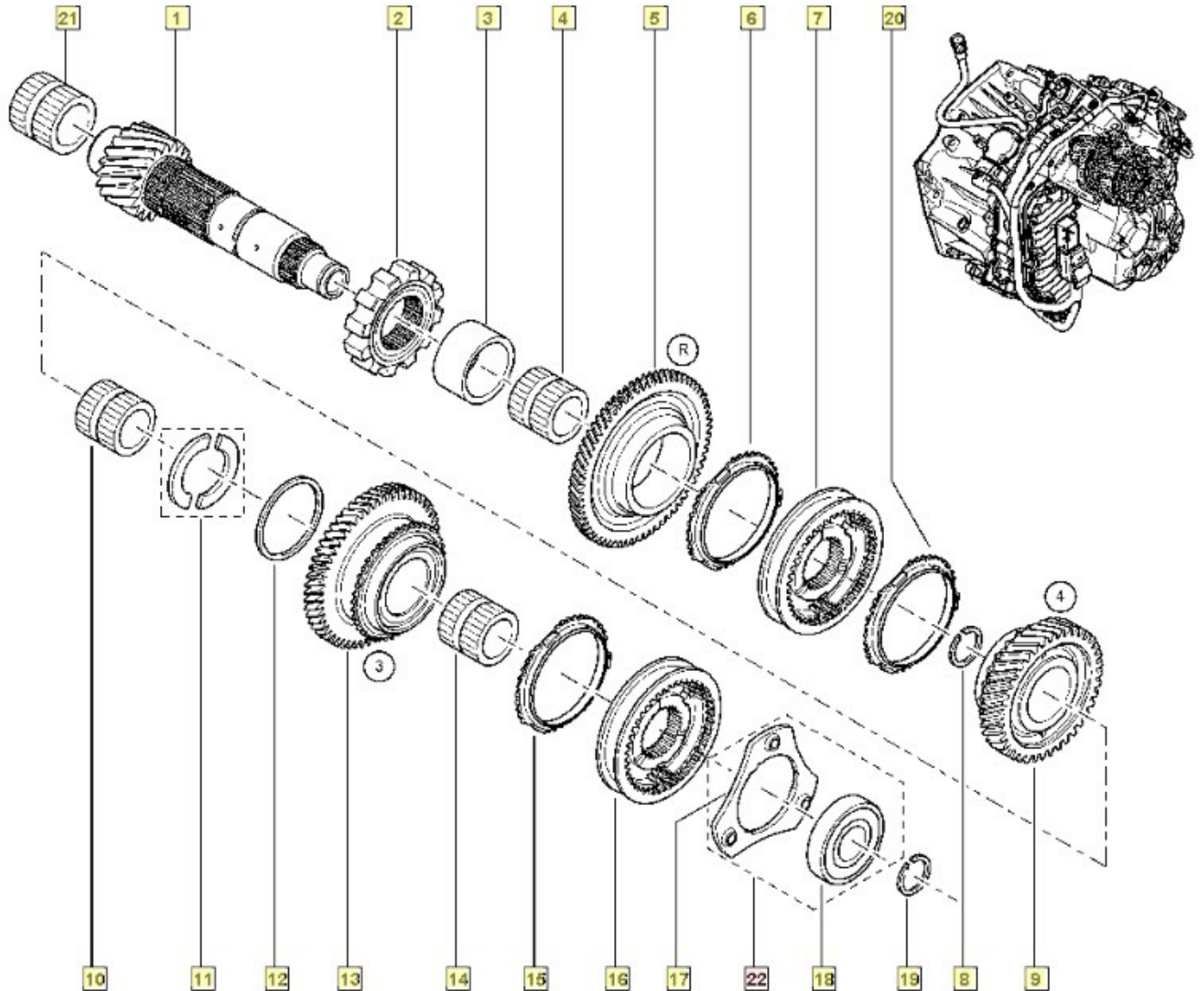


Desen tehnic cutie de viteza Getrag DCT250/DPS6/DC4



RAROPEM

BACK ON TRACK



Desen tehnic cutie de viteza Getrag DCT250/DPS6/DC4