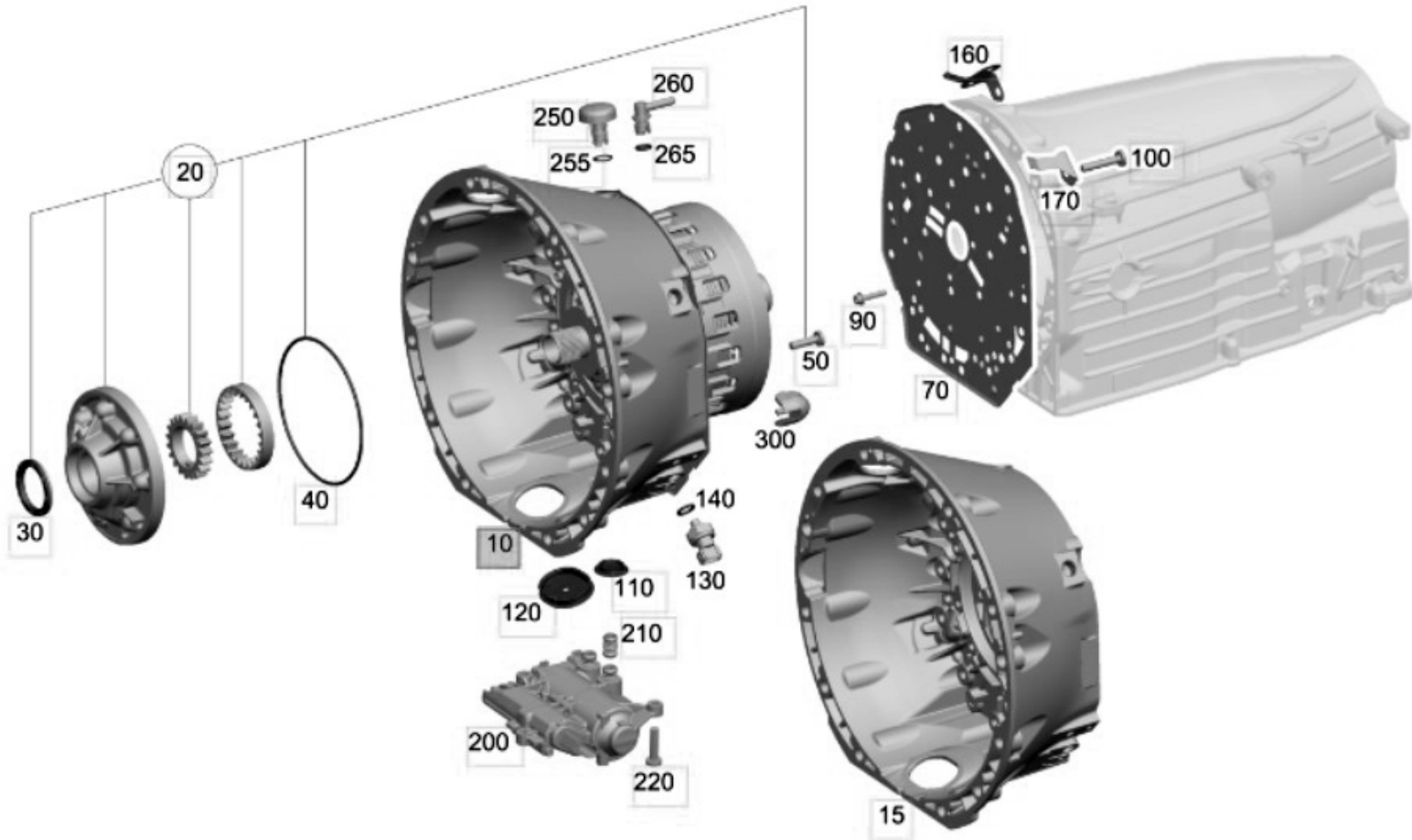




RAROPEM

BACK ON TRACK

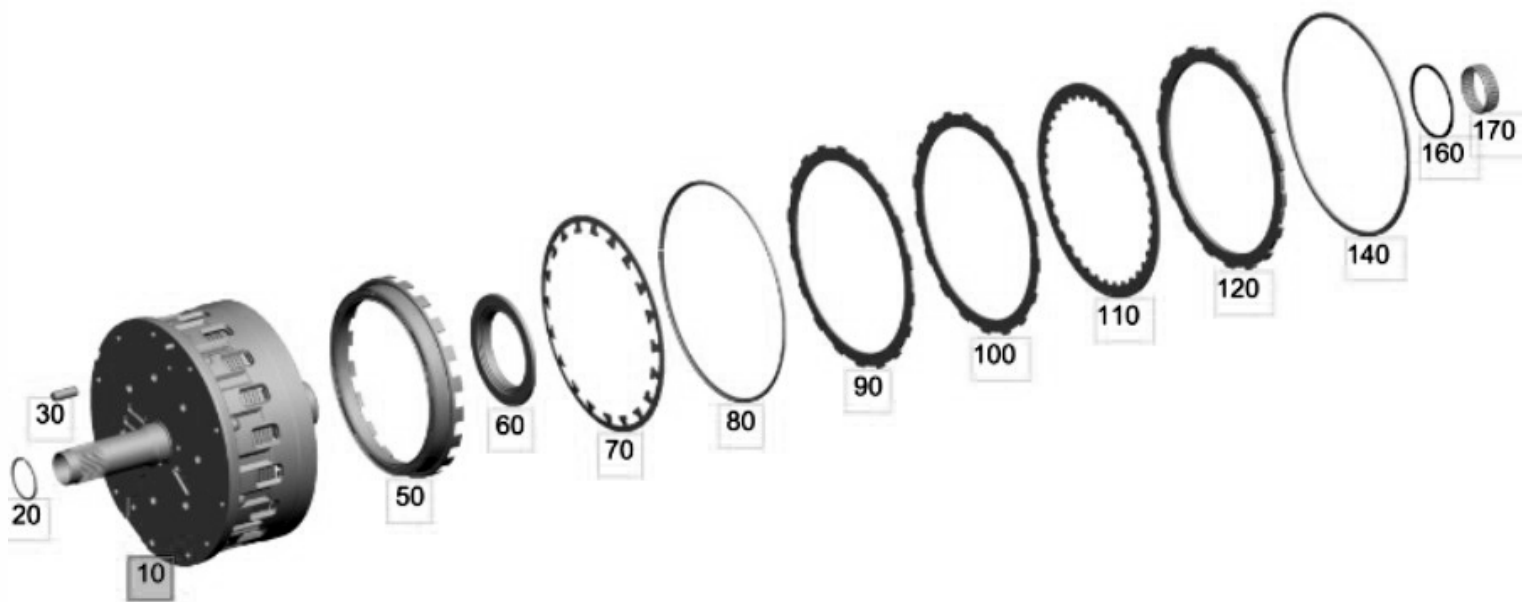


Desen tehnic cutie de viteze Mercedes - 722.9 / 7G-Tronic / 4MATIC



RAROPEM

BACK ON TRACK

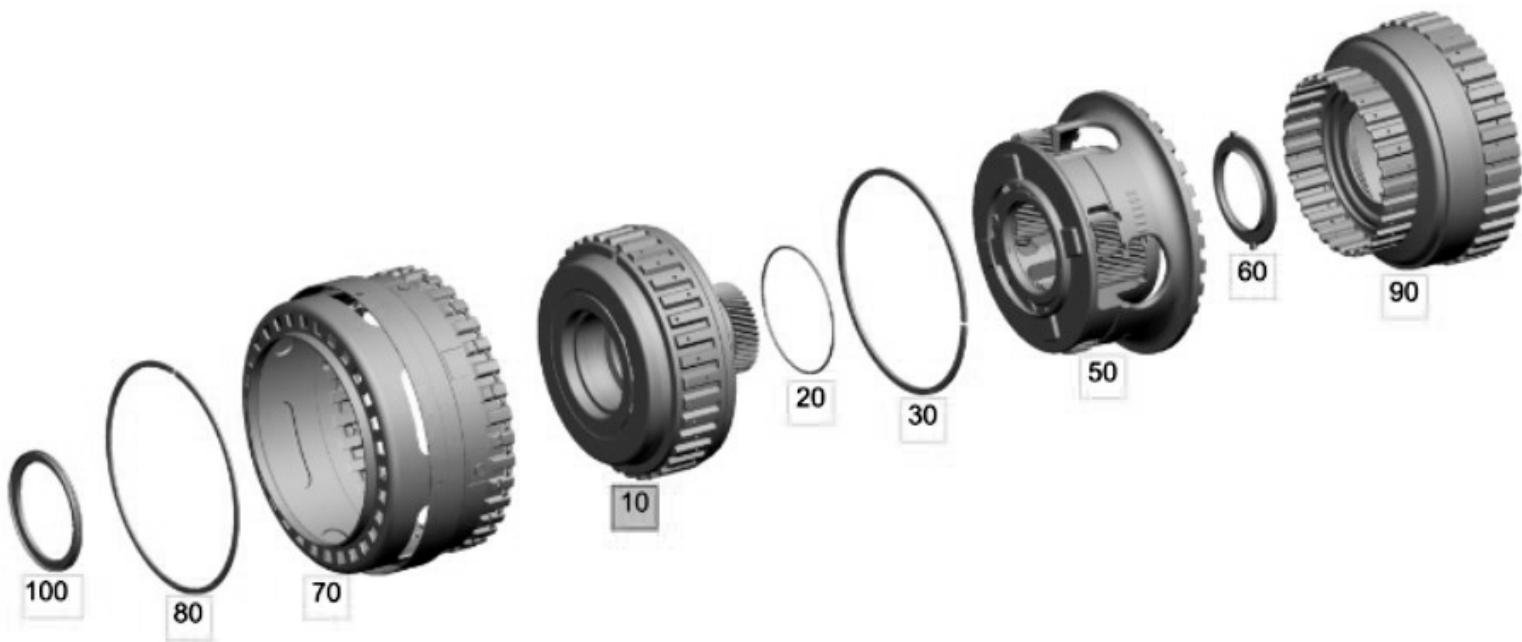


Desen tehnic cutie de viteze Mercedes - 722.9 / 7G-Tronic / 4MATIC



RAROPEM

BACK ON TRACK

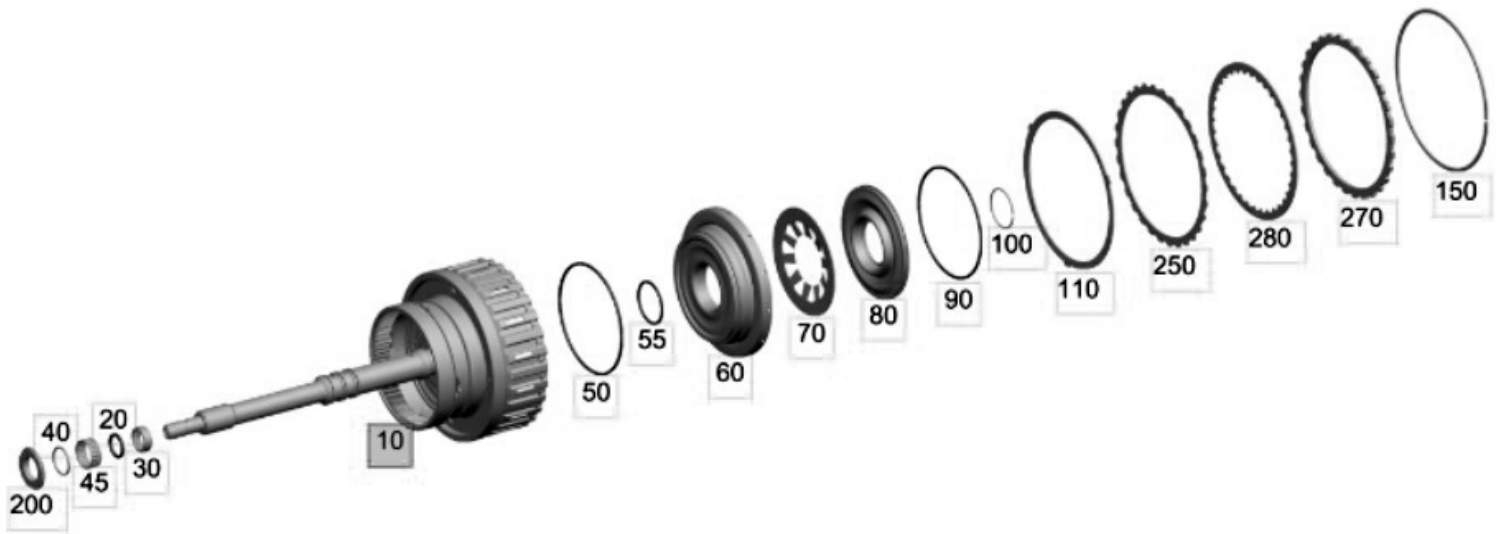


Desen tehnic cutie de viteze Mercedes - 722.9 / 7G-Tronic / 4MATIC



RAROPEM

BACK ON TRACK

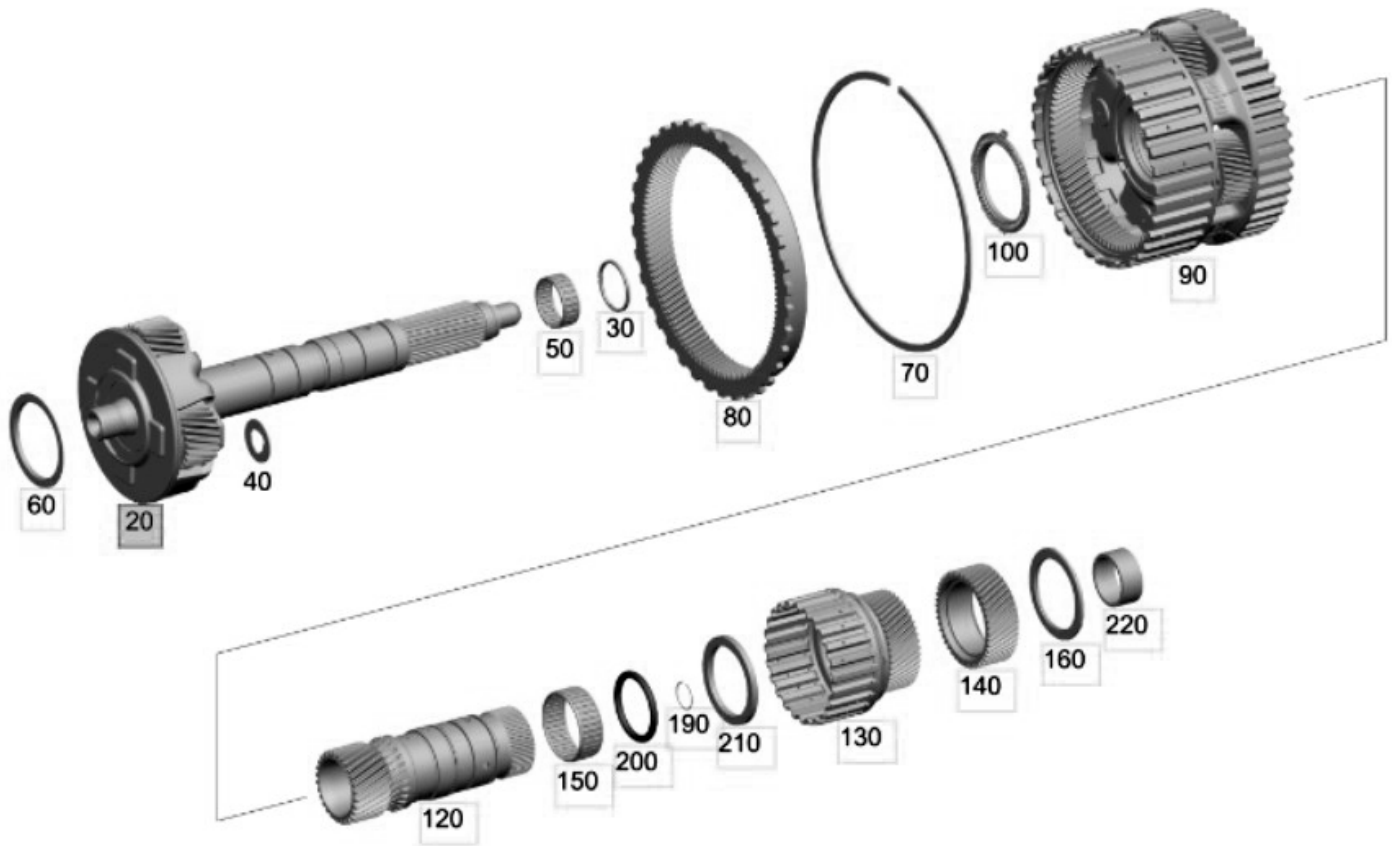


Desen tehnic cutie de viteze Mercedes - 722.9 / 7G-Tronic / 4MATIC



RAROPEM

BACK ON TRACK



Desen tehnic cutie de viteze Mercedes - 722.9 / 7G-Tronic / 4MATIC



RAROPEM

BACK ON TRACK

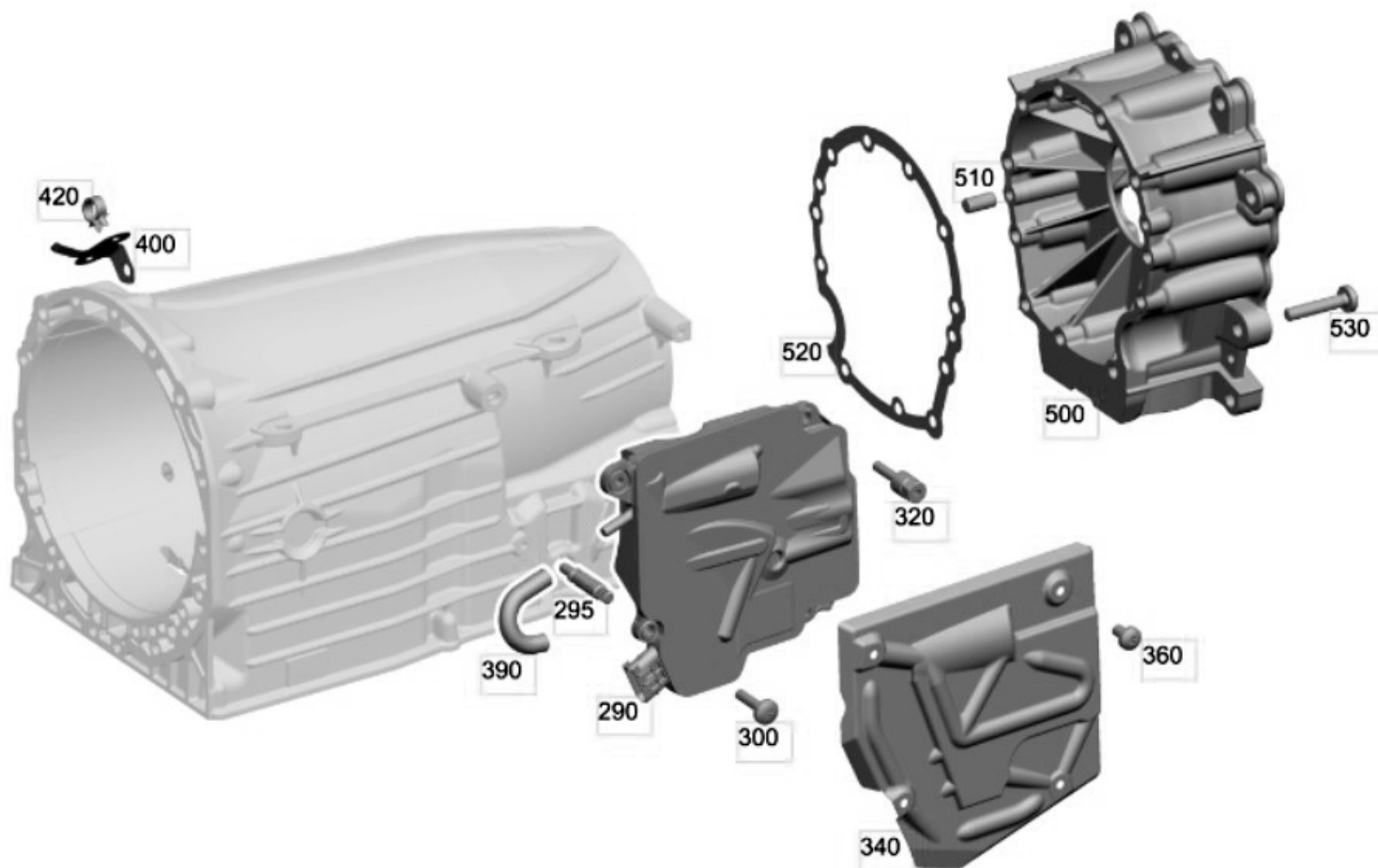


Desen tehnic cutie de viteze Mercedes - 722.9 / 7G-Tronic / 4MATIC



RAROPEM

BACK ON TRACK

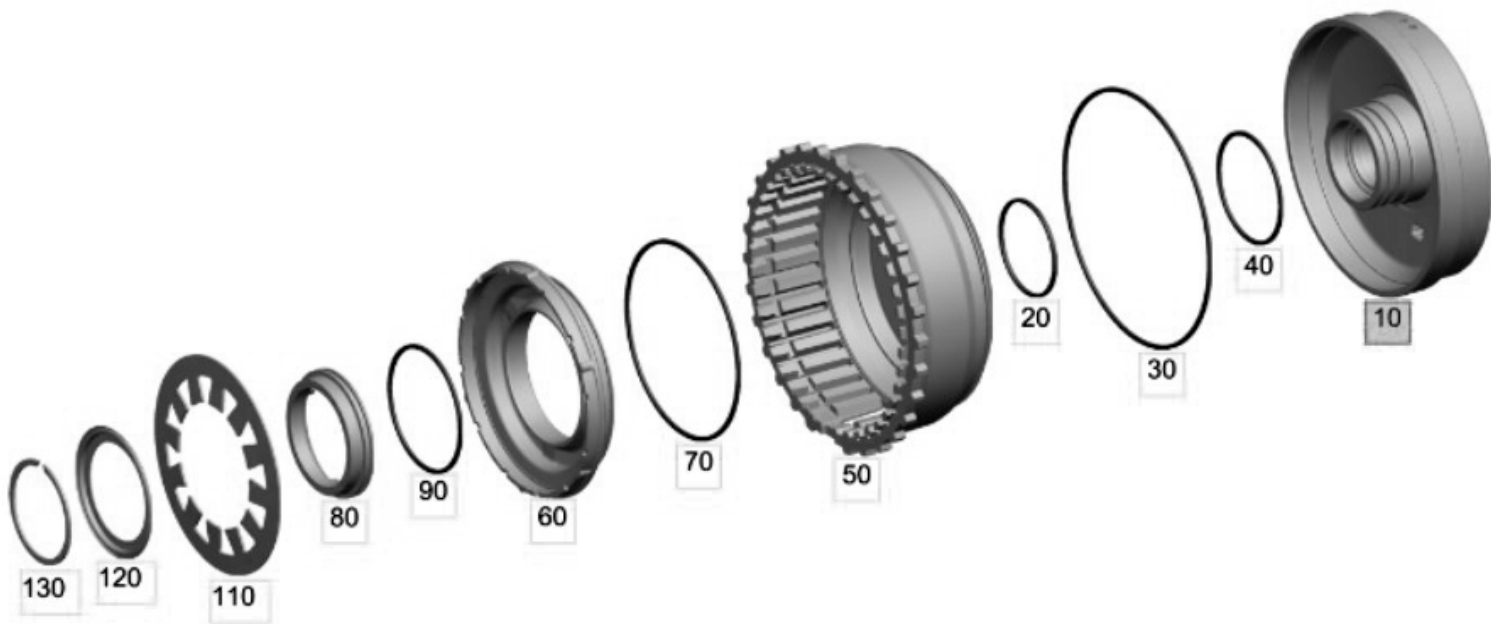


Desen tehnic cutie de viteze Mercedes - 722.9 / 7G-Tronic / 4MATIC



RAROPEM

BACK ON TRACK

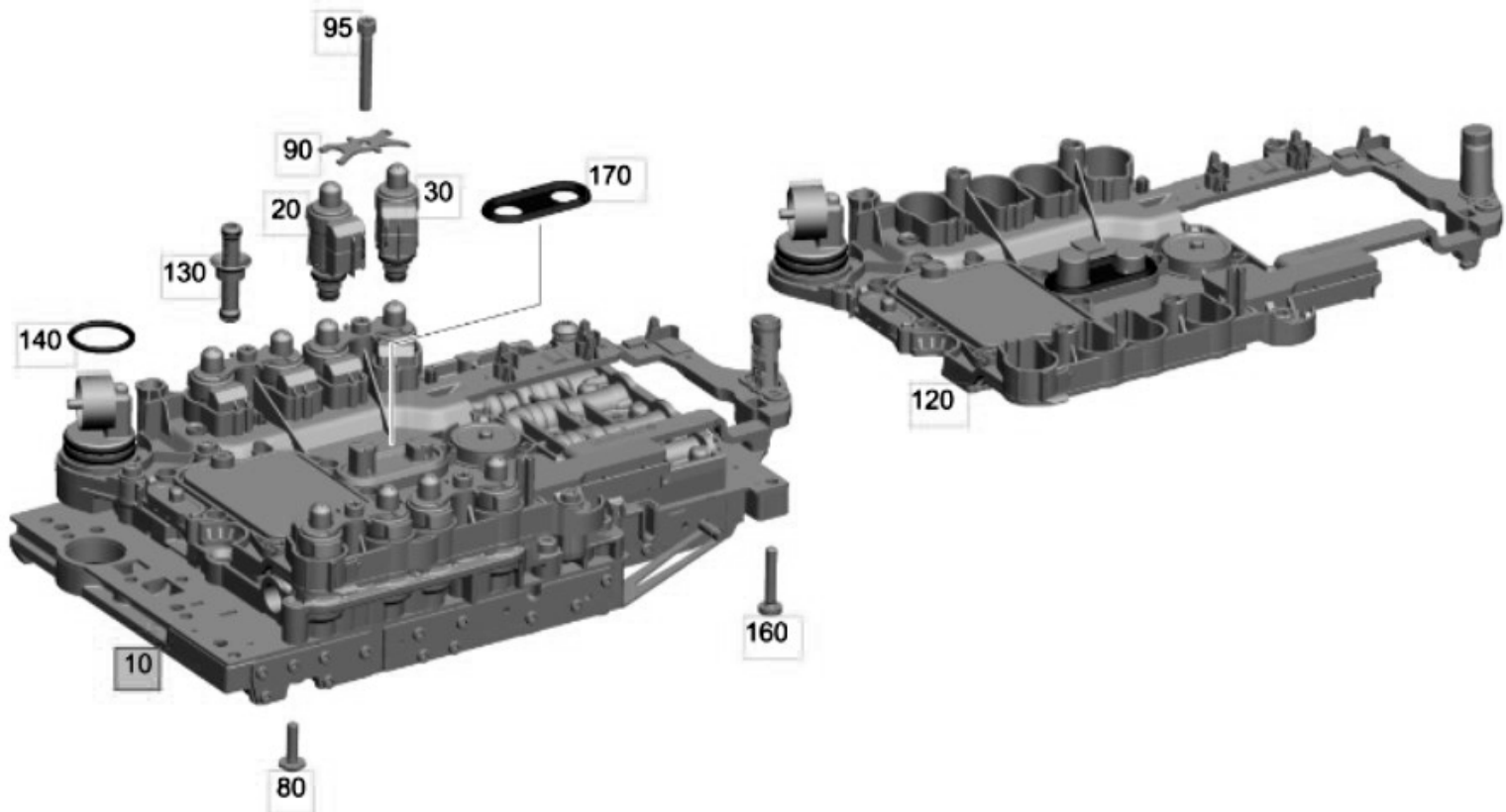


Desen tehnic cutie de viteze Mercedes - 722.9 / 7G-Tronic / 4MATIC



RAROPEM

BACK ON TRACK

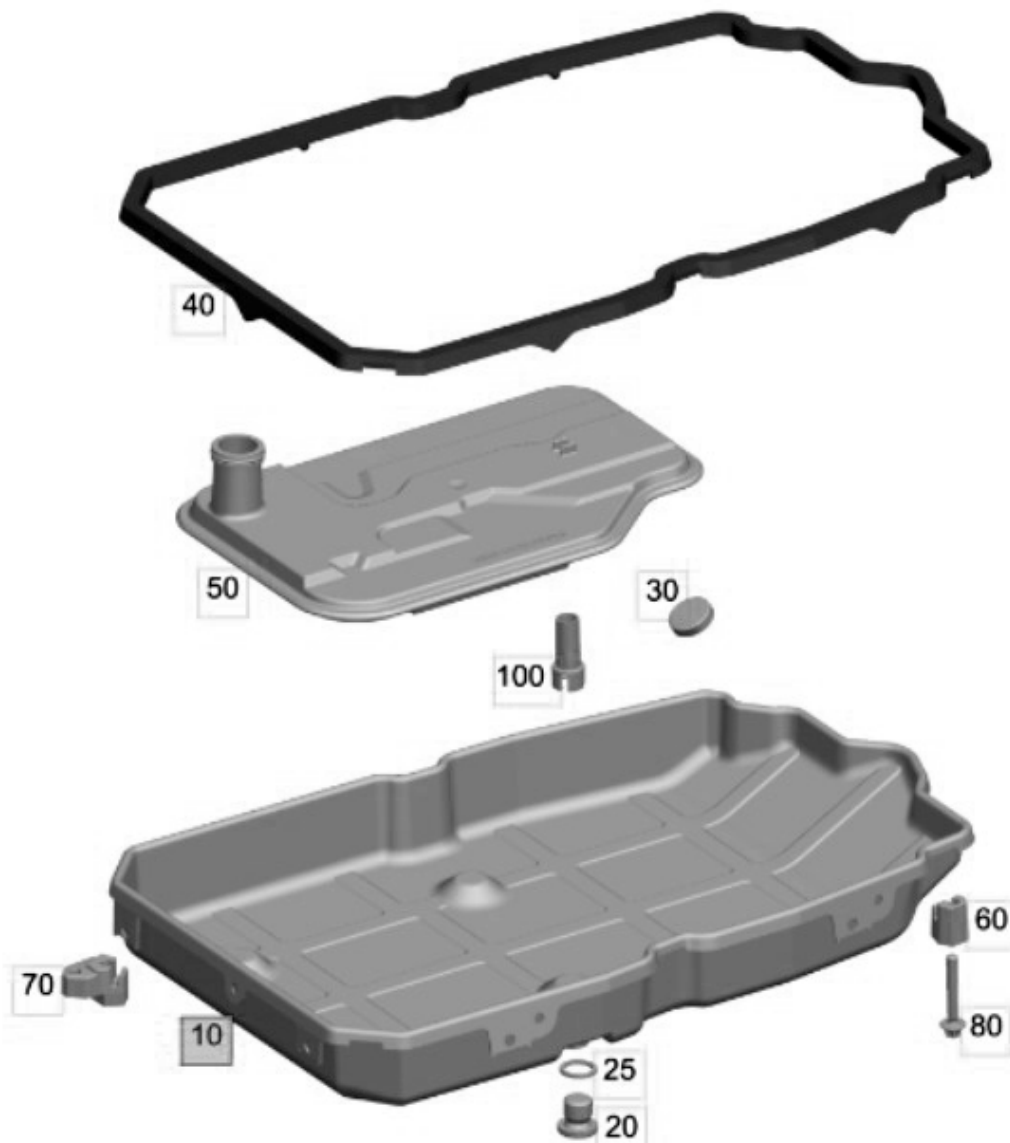


Desen tehnic cutie de viteze Mercedes - 722.9 / 7G-Tronic / 4MATIC



RAROPEM

BACK ON TRACK

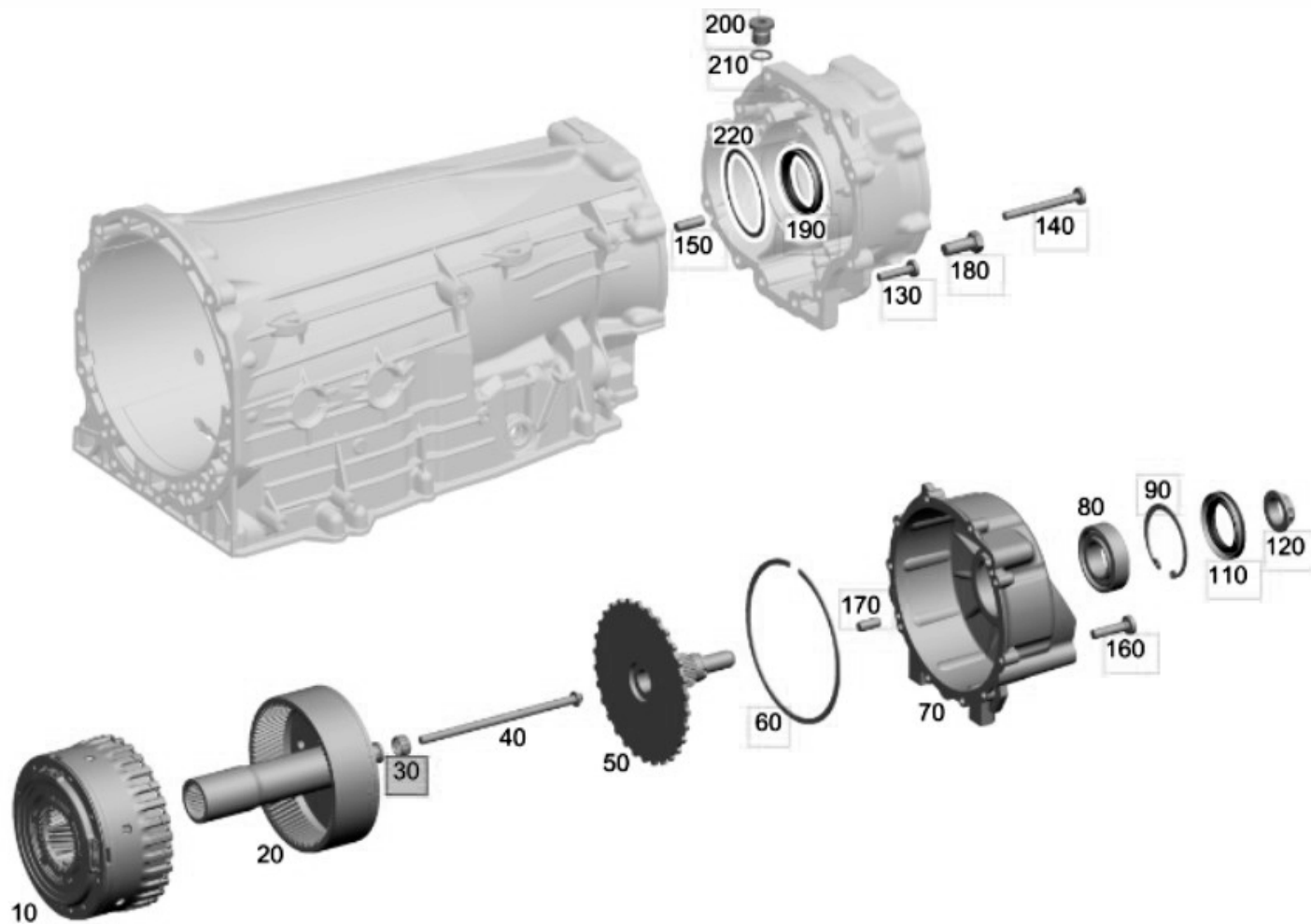


Desen tehnic cutie de viteze Mercedes - 722.9 / 7G-Tronic / 4MATIC



RAROPEM

BACK ON TRACK



Desen tehnic cutie de viteze Mercedes - 722.9 / 7G-Tronic / 4MATIC