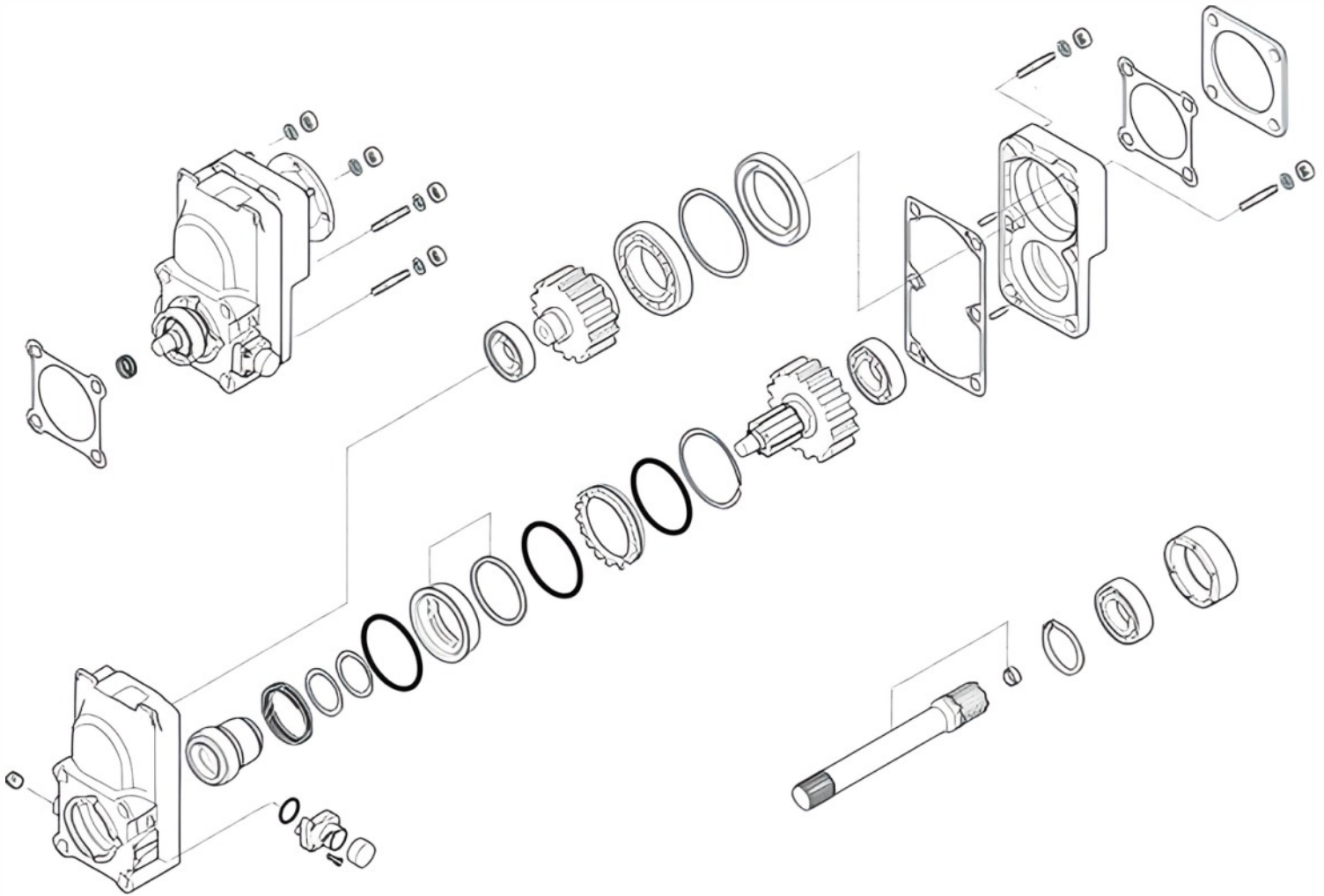




RAROPEM
BACK ON TRACK



PTO (Power take-off) - ZF NH 4B