



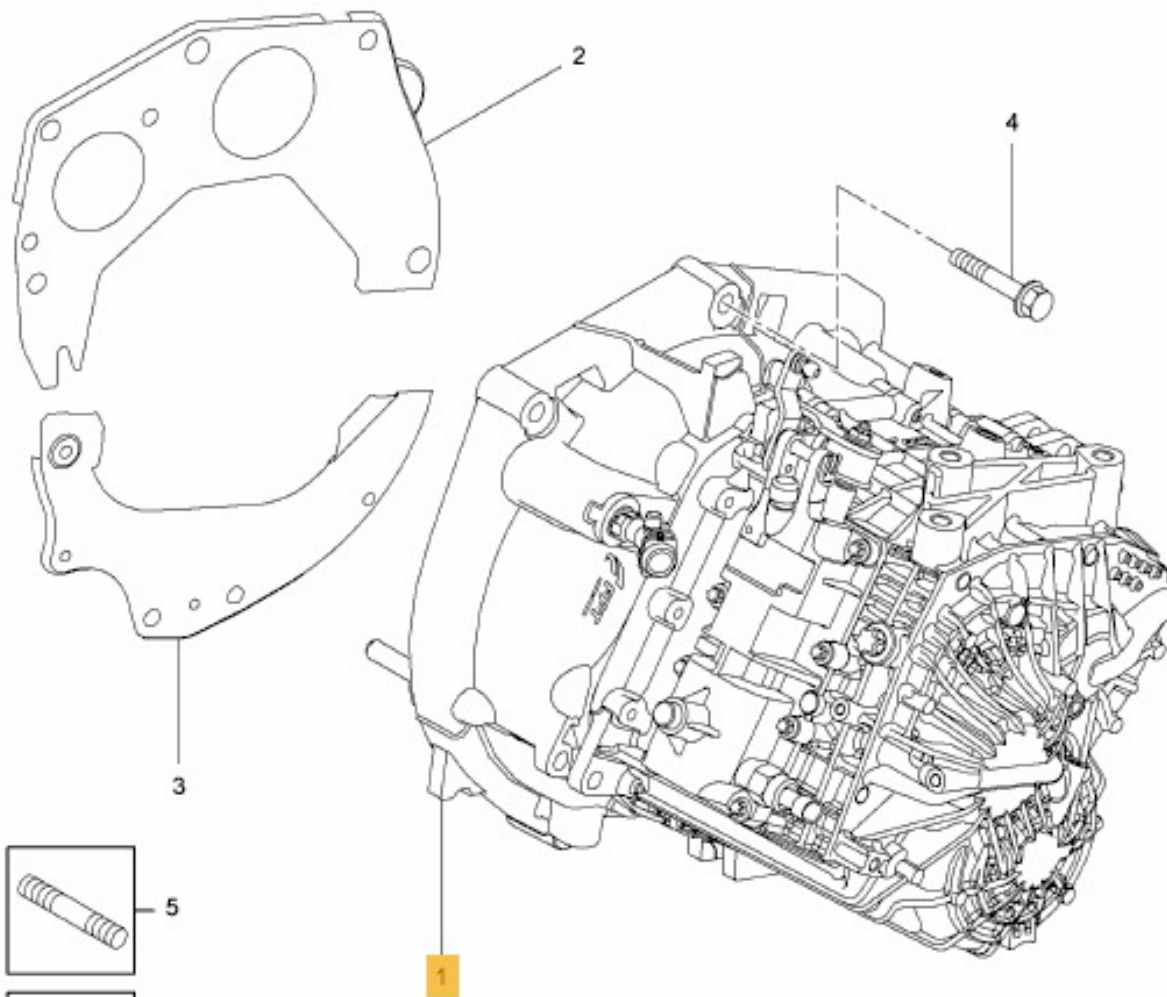
RAROPEM

BACK ON TRACK

H201 29/11/2011



7



2

4

3



5



6

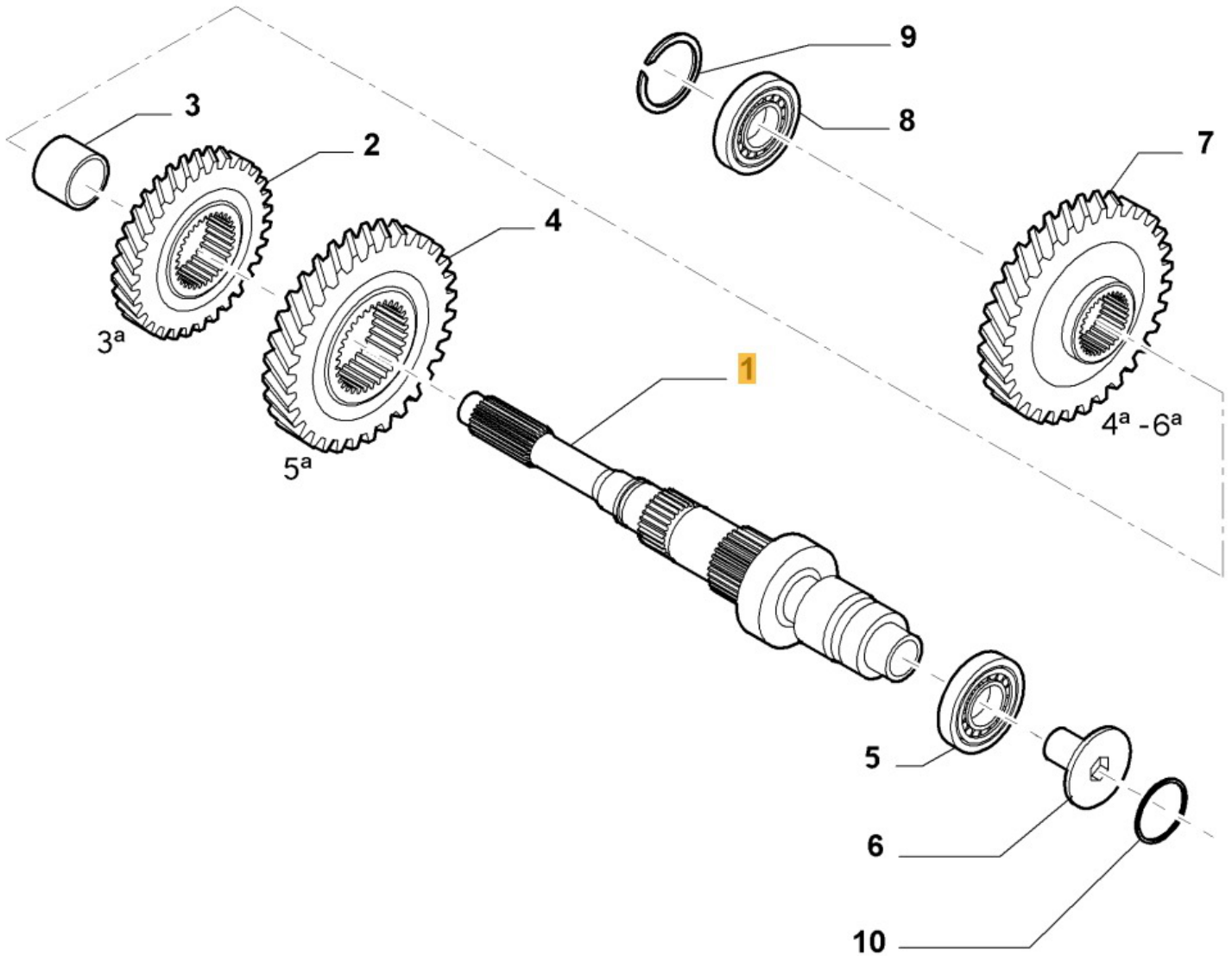
1

Cutia de viteza C 635 / C 633 pentru FIAT Doblo / Opel Combo



RAROPEM

BACK ON TRACK

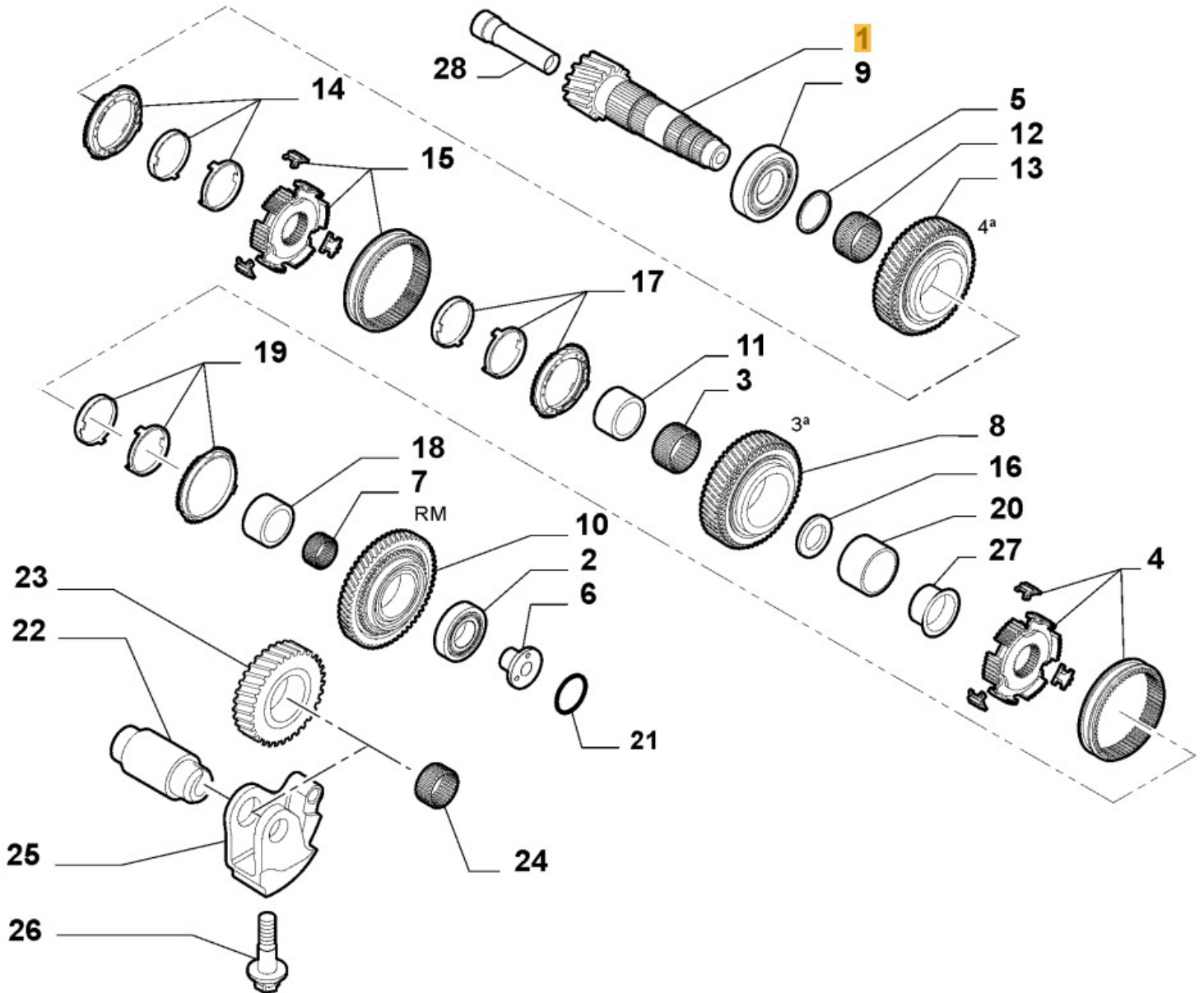


Cutie de viteza C 635 / C 633 pentru FIAT Doblo / Opel Combo



RAROPEM

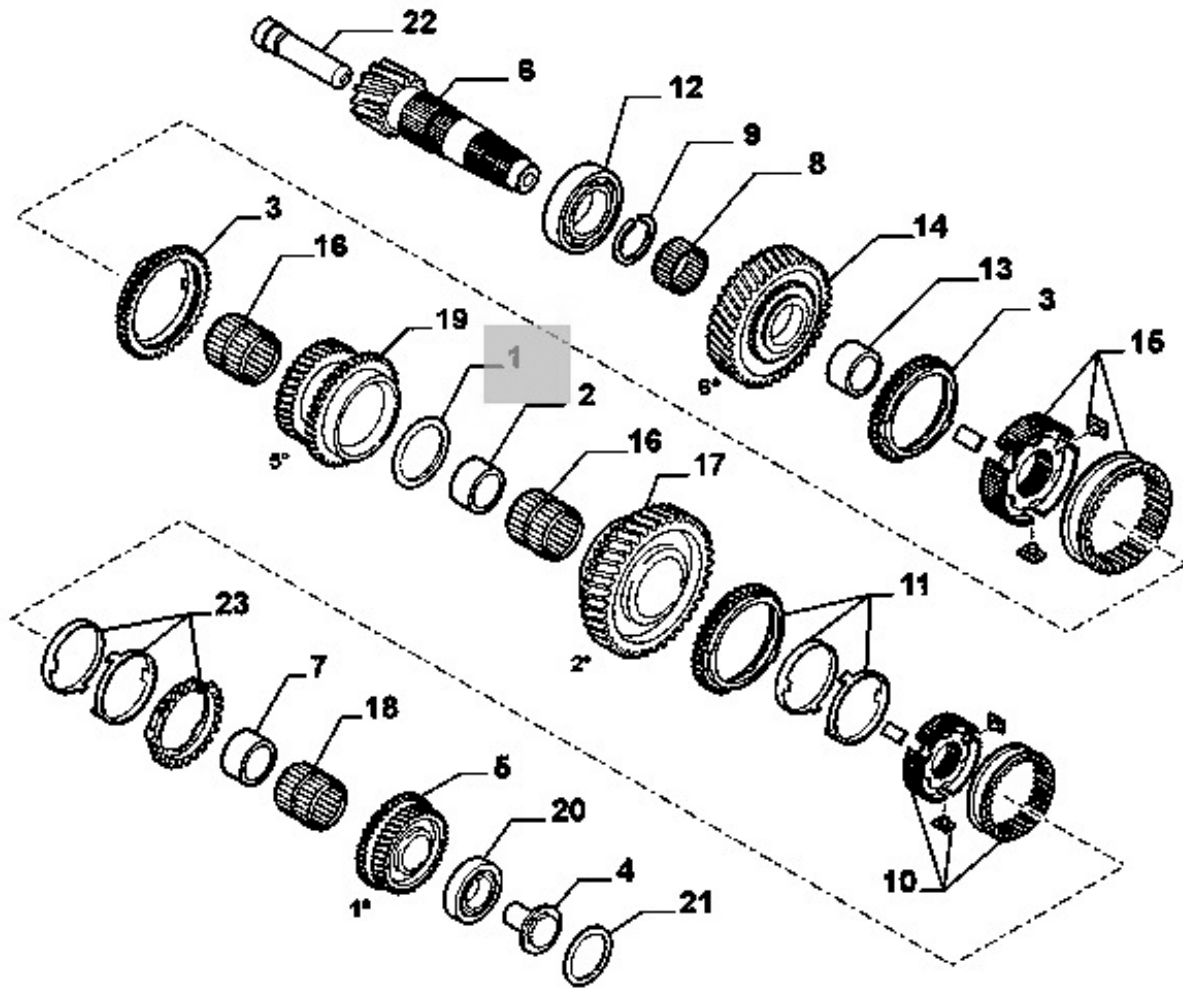
BACK ON TRACK



Cutia de viteza C 635 / C 633 pentru FIAT Doblo / Opel Combo



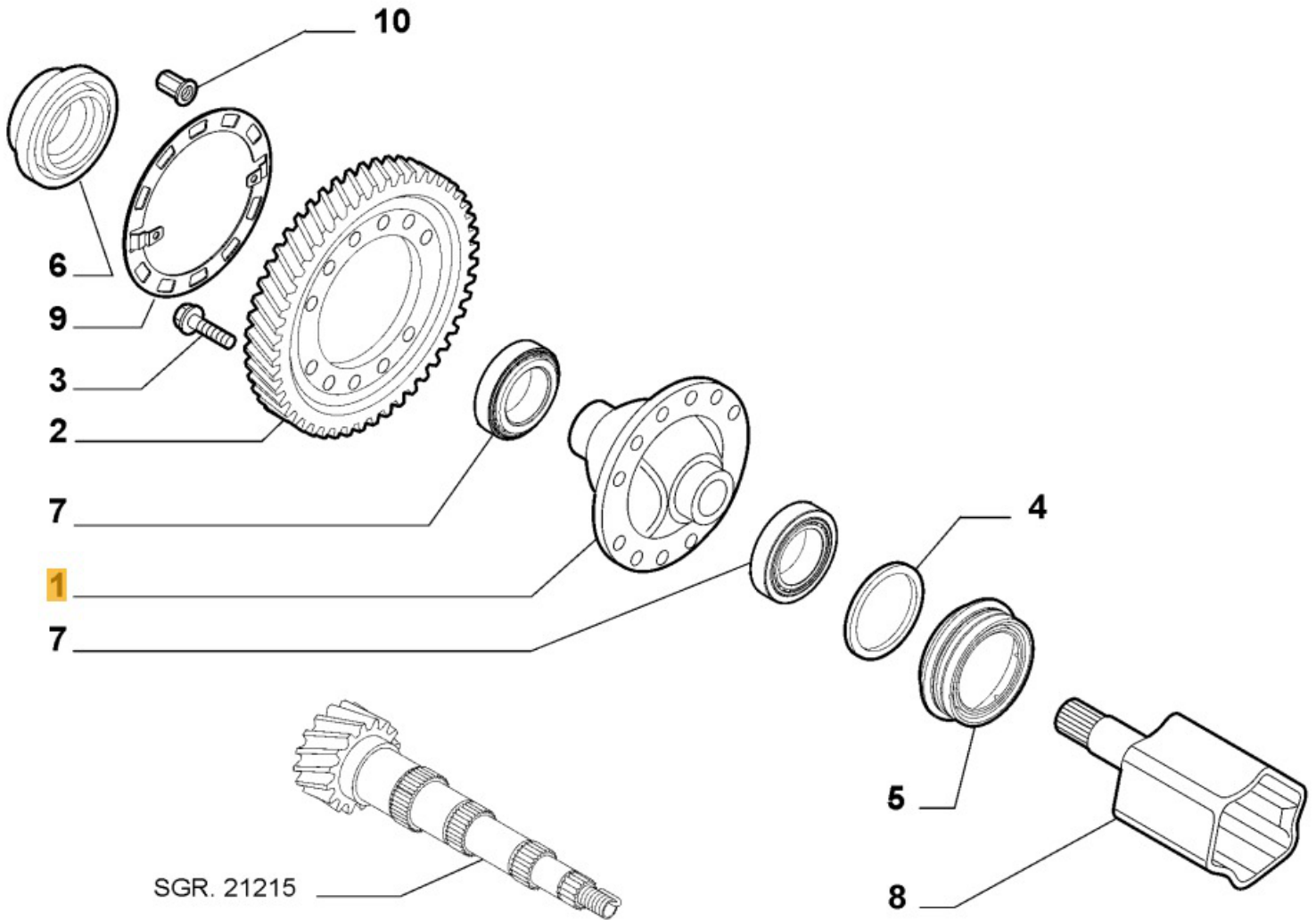
RAROPEM
BACK ON TRACK



Cutie de viteza C 635 / C 633 pentru FIAT Doblo / Opel Combo



RAROPEM
BACK ON TRACK

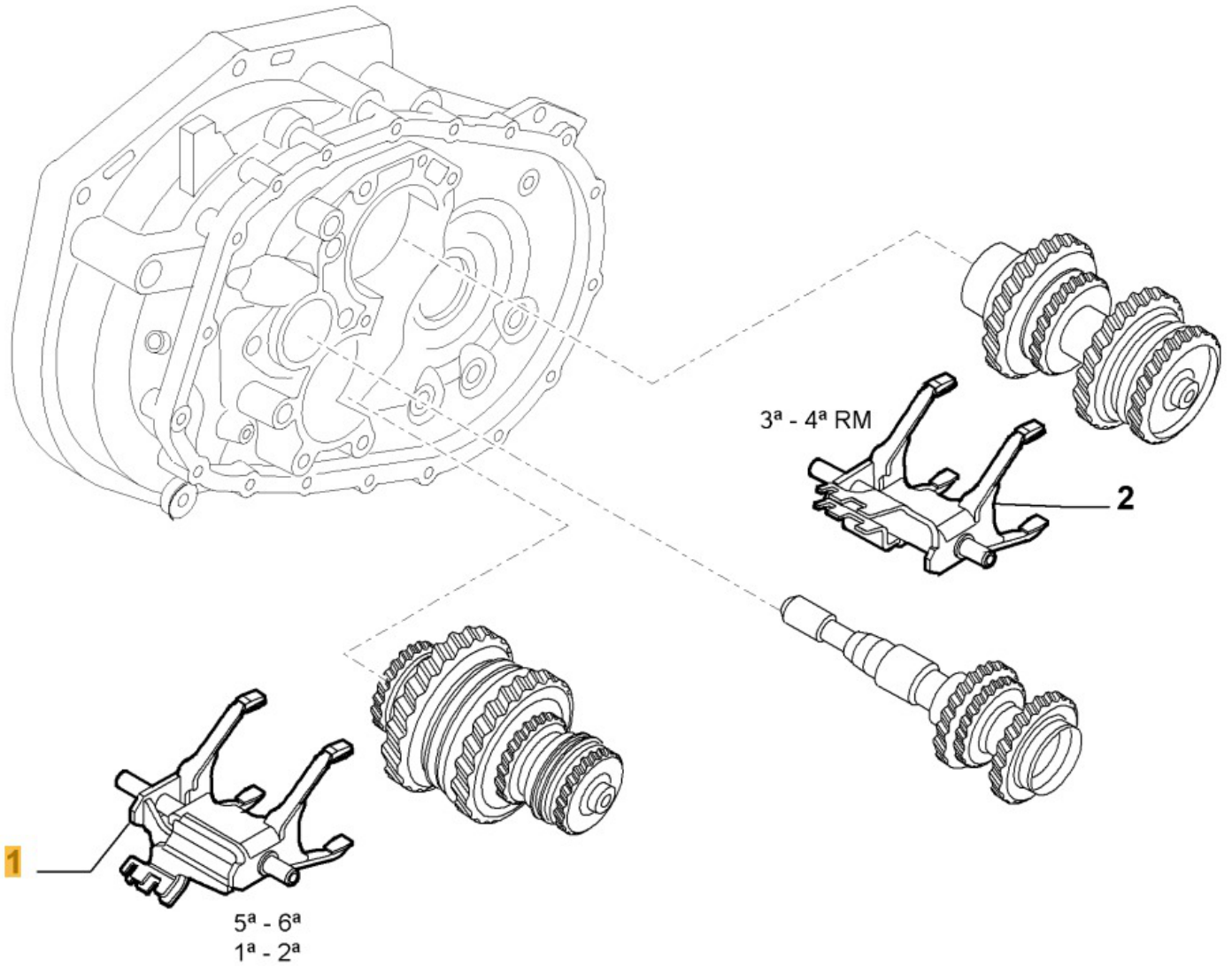


Cutie de viteza C 635 / C 633 pentru FIAT Doblo / Opel Combo



RAROPEM

BACK ON TRACK



Cutie de viteza C 635 / C 633 pentru FIAT Doblo / Opel Combo