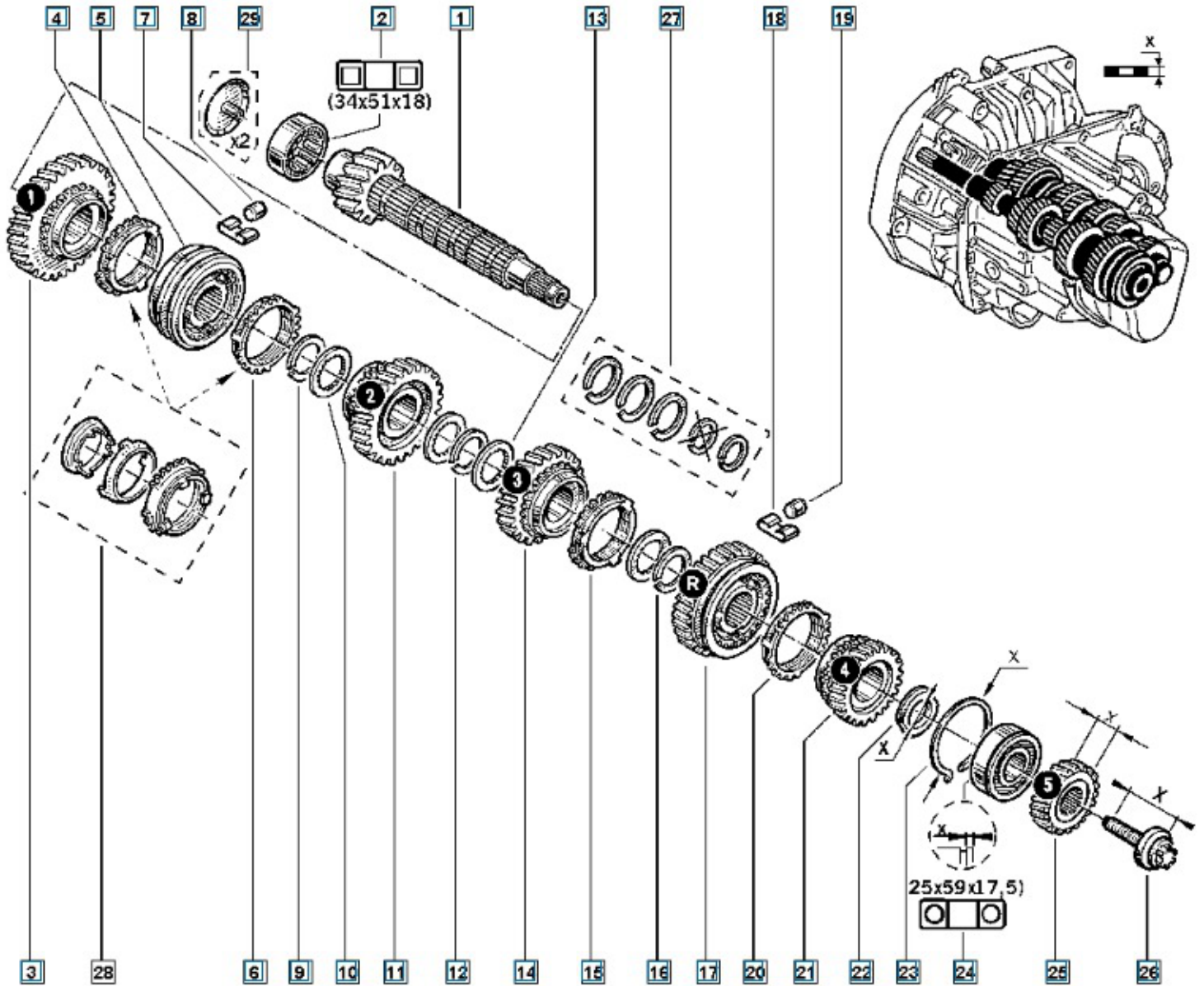


Desen tehnic cutie Reanult (Dacia) JB1/ JB3/ JE3/ JH1/ JH3 / Ja5 / Jc5 / JR5



RAROPEM

BACK ON TRACK

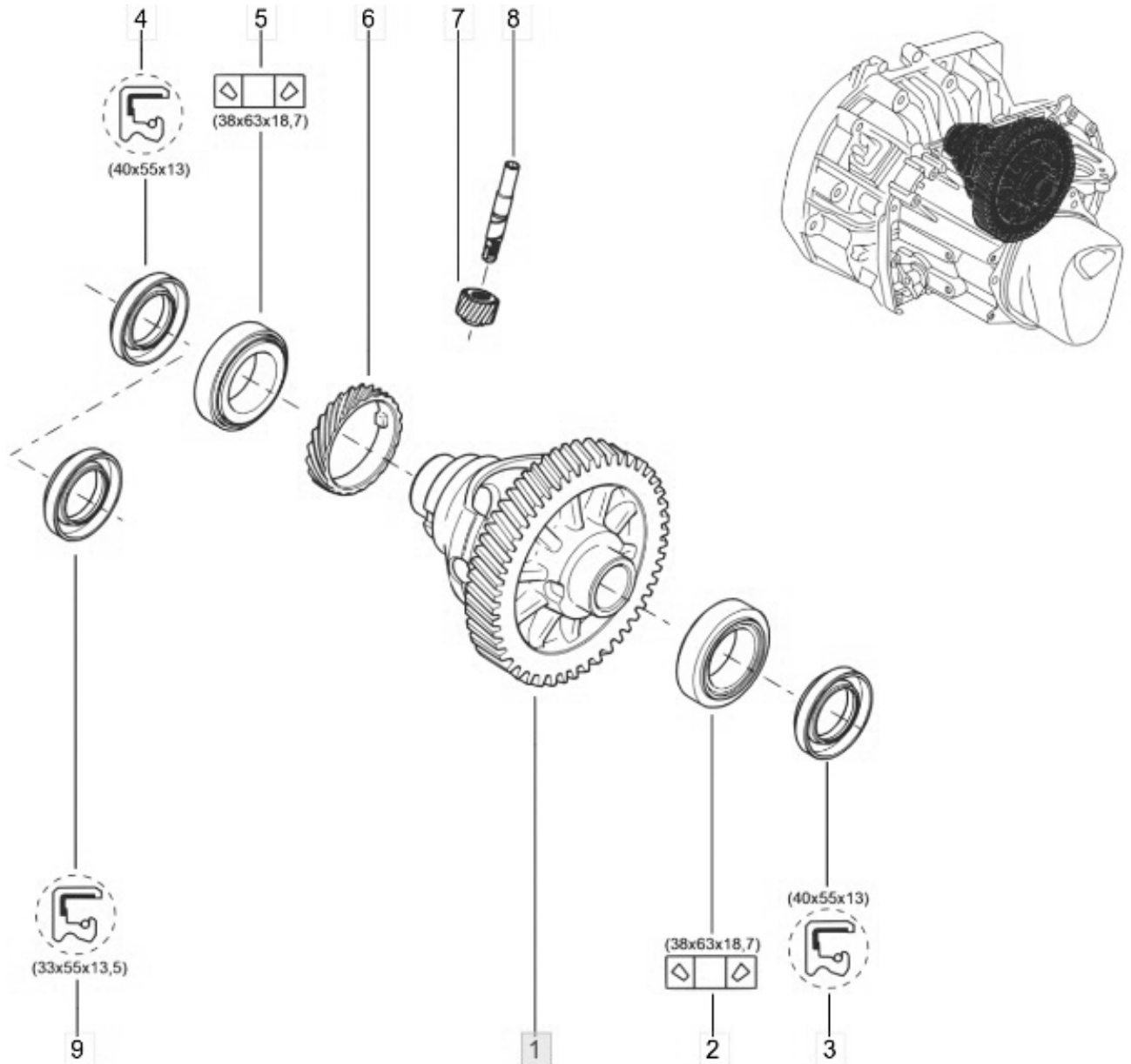


Desen tehnic cutie Reanult (Dacia) JB1/ JB3/ JE3/ JH1/ JH3 / Ja5 / Jc5 / JR5



RAROPEM

BACK ON TRACK

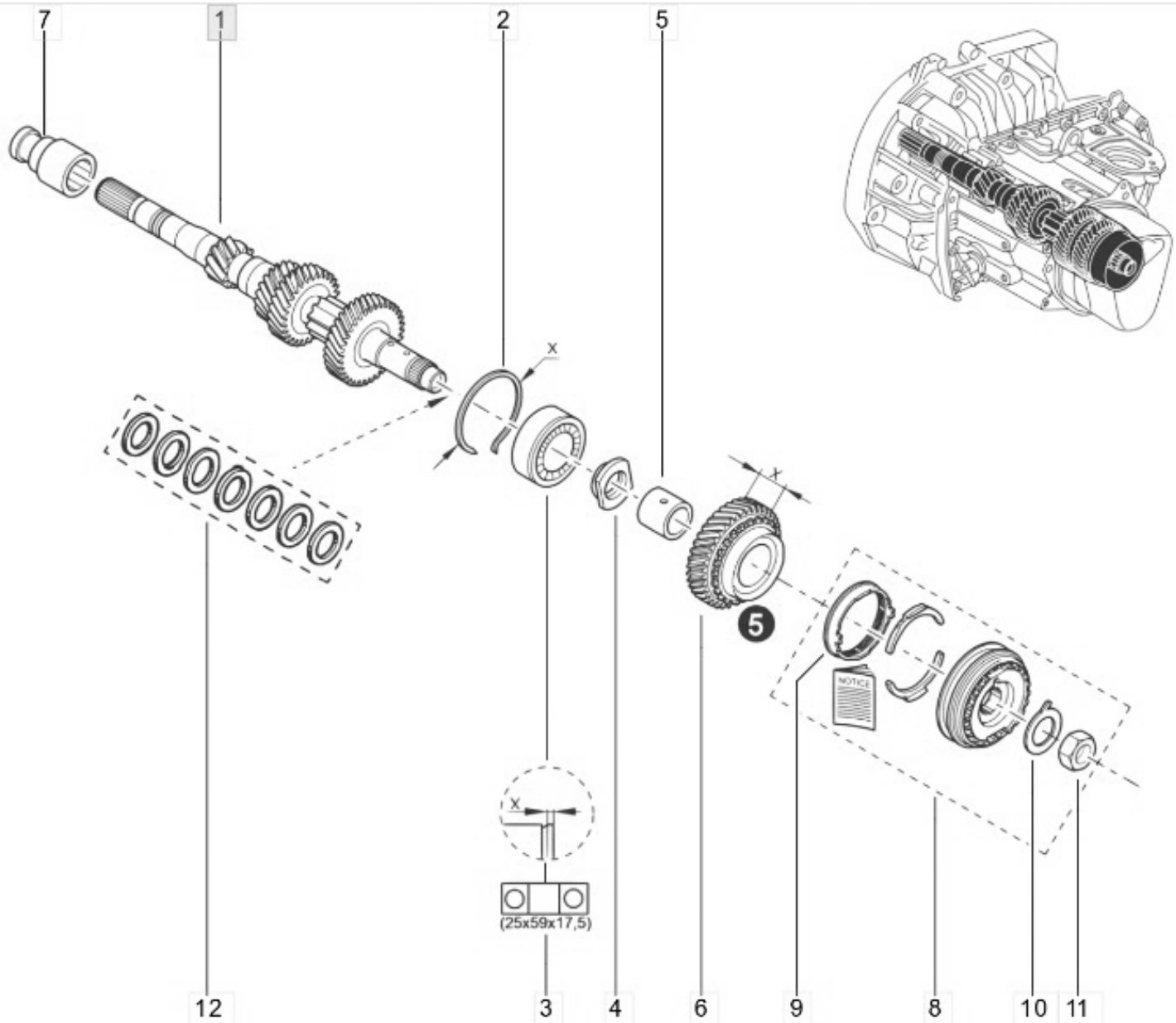


Desen tehnic cutie Reanult (Dacia) JB1/ JB3/ JE3/ JH1/ JH3 / Ja5 / Jc5 / JR5



RAROPEM

BACK ON TRACK

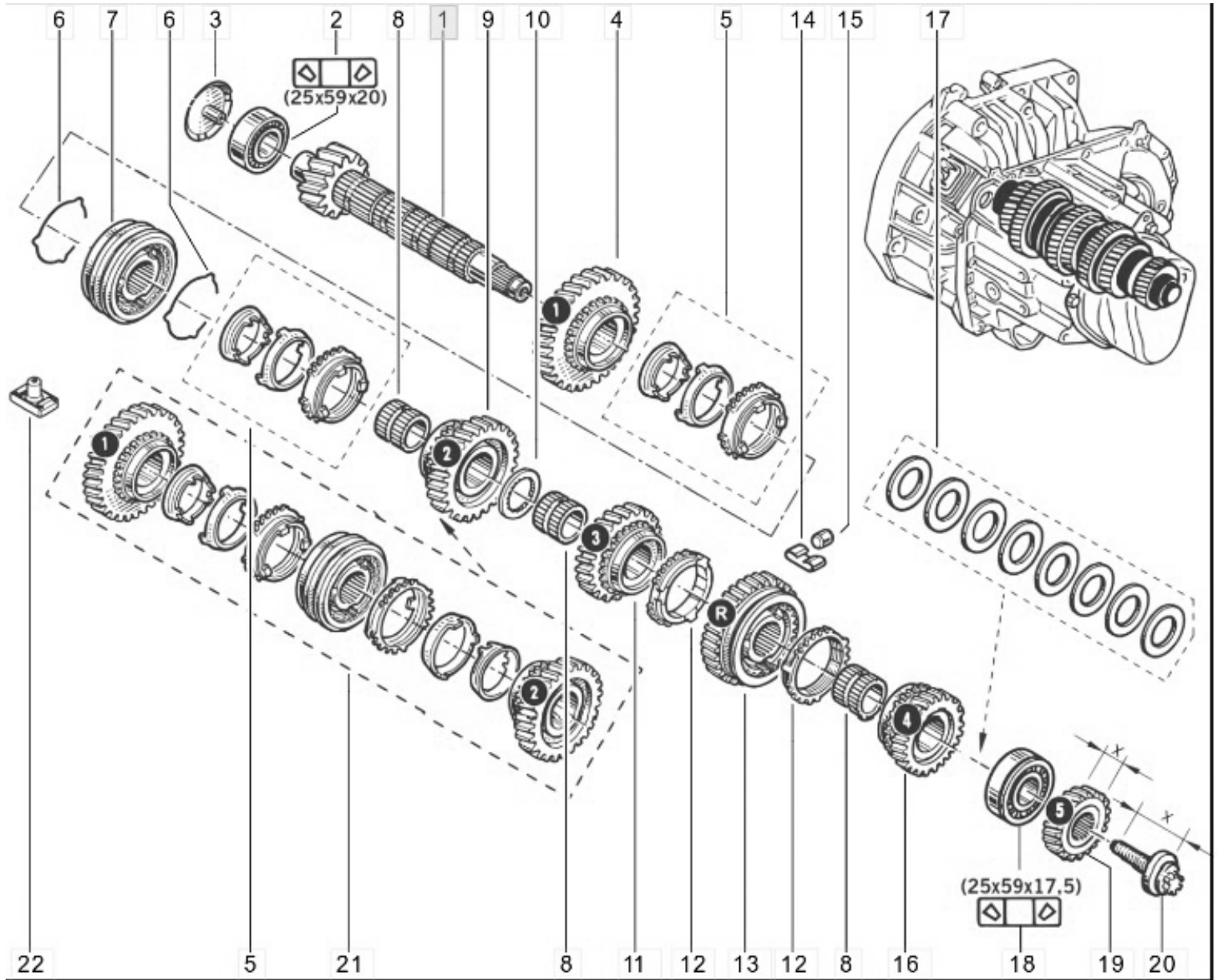


Desen tehnic cutie Renault (Dacia) JB1/ JB3/ JE3/ JH1/ JH3 / Ja5 / Jc5 / JR5



RAROPEM

BACK ON TRACK

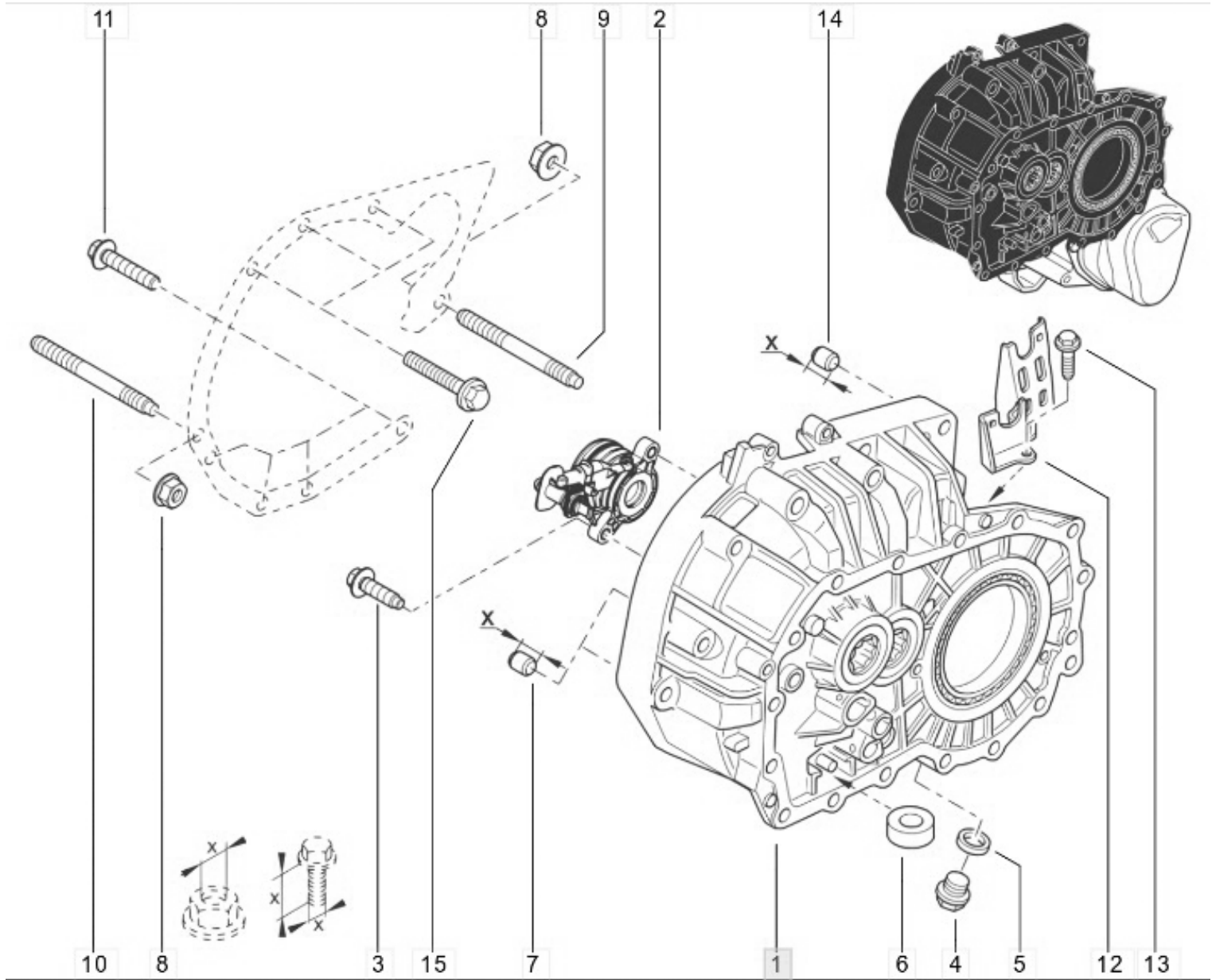


Desen tehnic cutie Renault (Dacia) JB1/ JB3/ JE3/ JH1/ JH3 / Ja5 / Jc5 / JR5

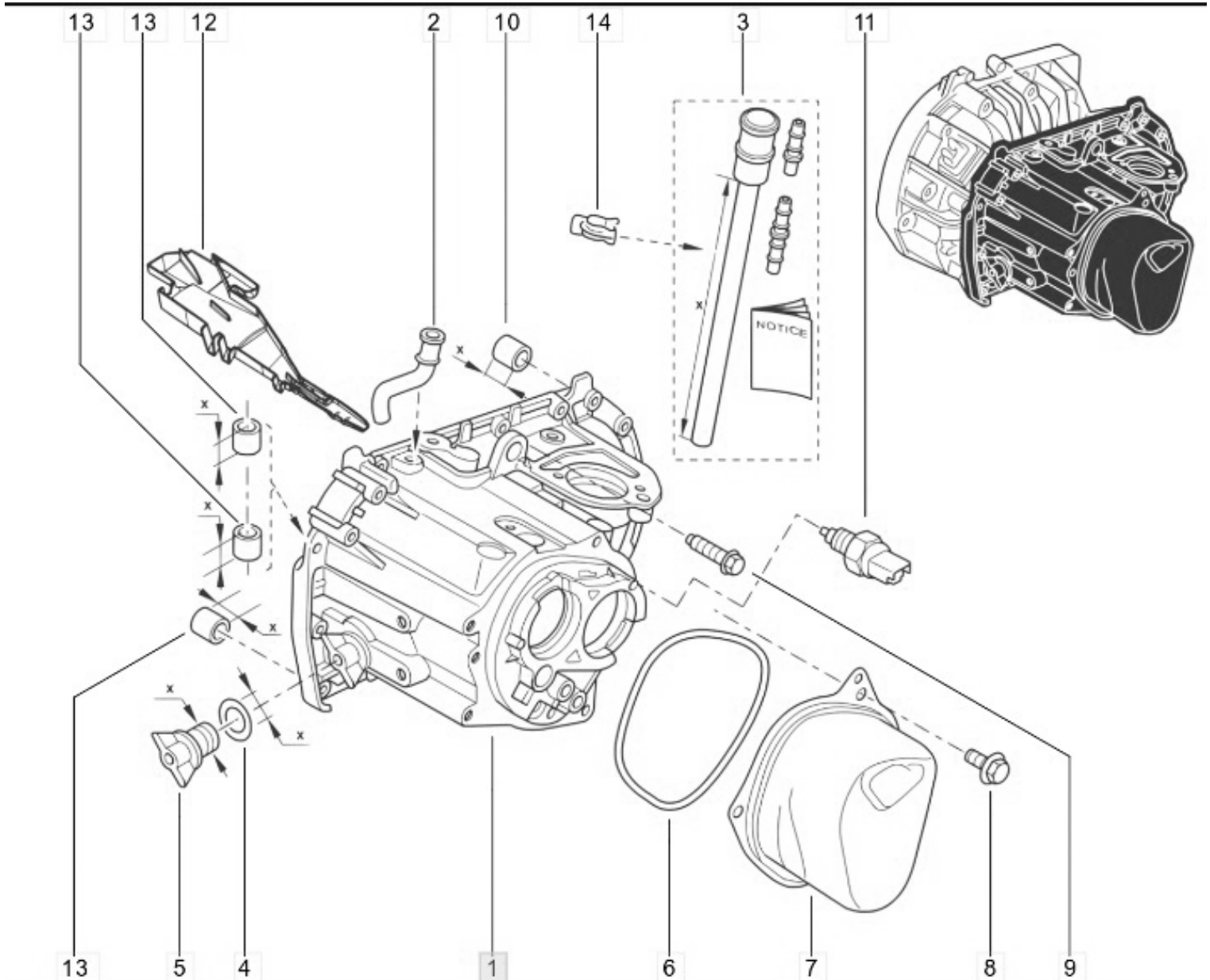


RAROPEM

BACK ON TRACK



Desen tehnic cutie Reanult (Dacia) JB1/ JB3/ JE3/ JH1/ JH3 / Ja5 / Jc5 / JR5

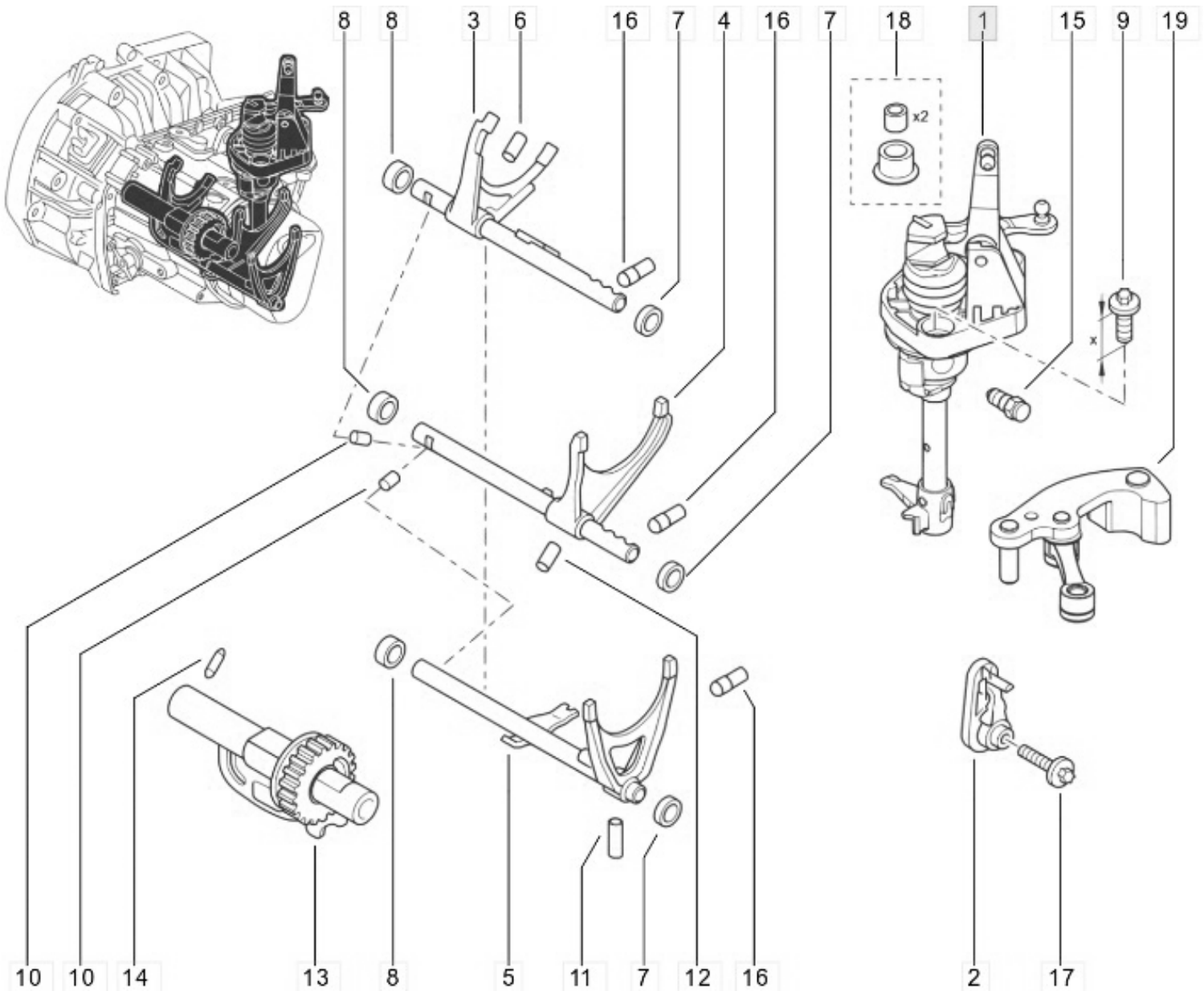


Desen tehnic cutie Renault (Dacia) JB1/ JB3/ JE3/ JH1/ JH3 / Ja5 / Jc5 / JR5



RAROPEM

BACK ON TRACK



Desen tehnic cutie Reanult (Dacia) JB1/ JB3/ JE3/ JH1/ JH3 / Ja5 / Jc5 / JR5