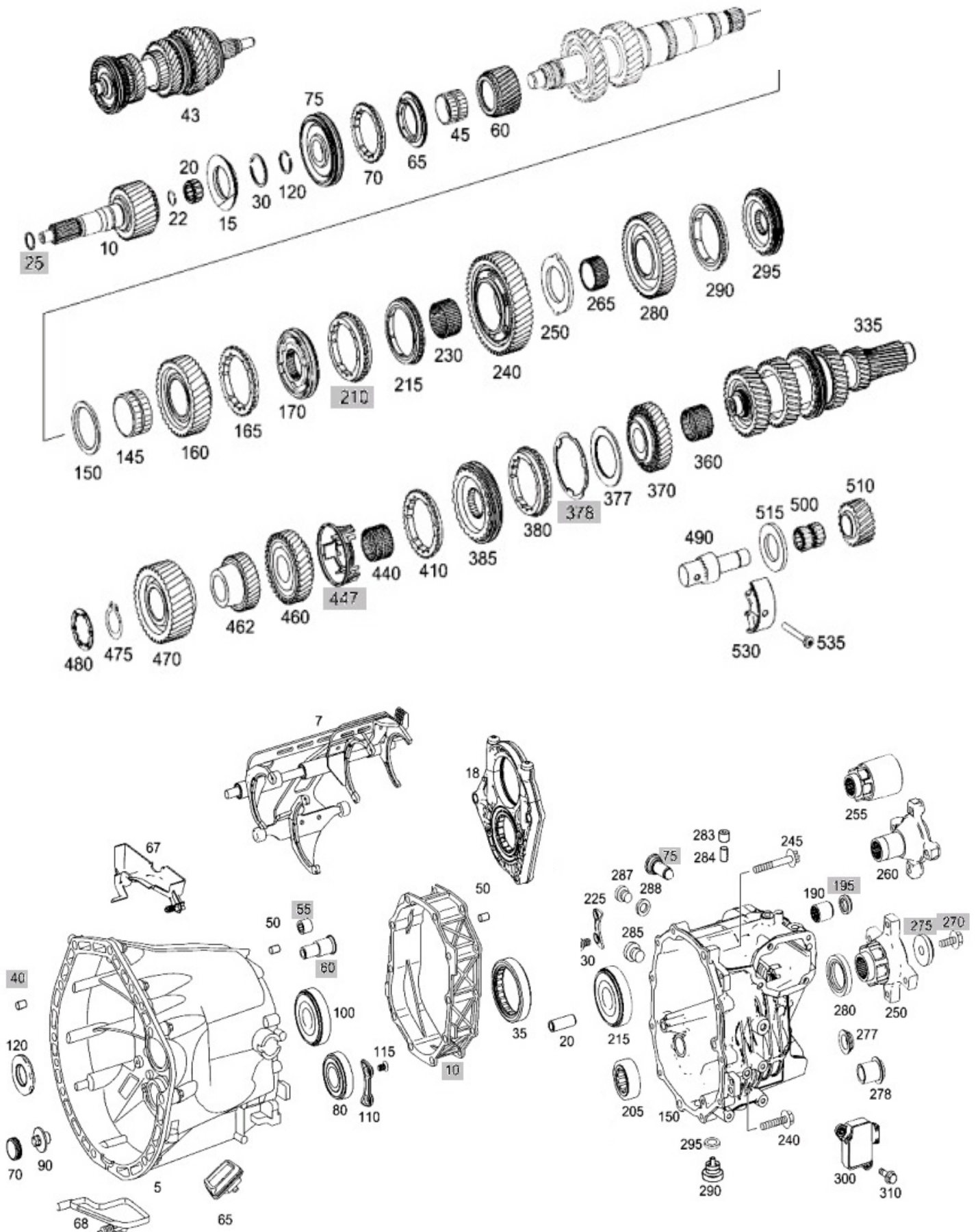




RAROPEM

BACK ON TRACK



Mercedes Sprinter 711680 TSG480